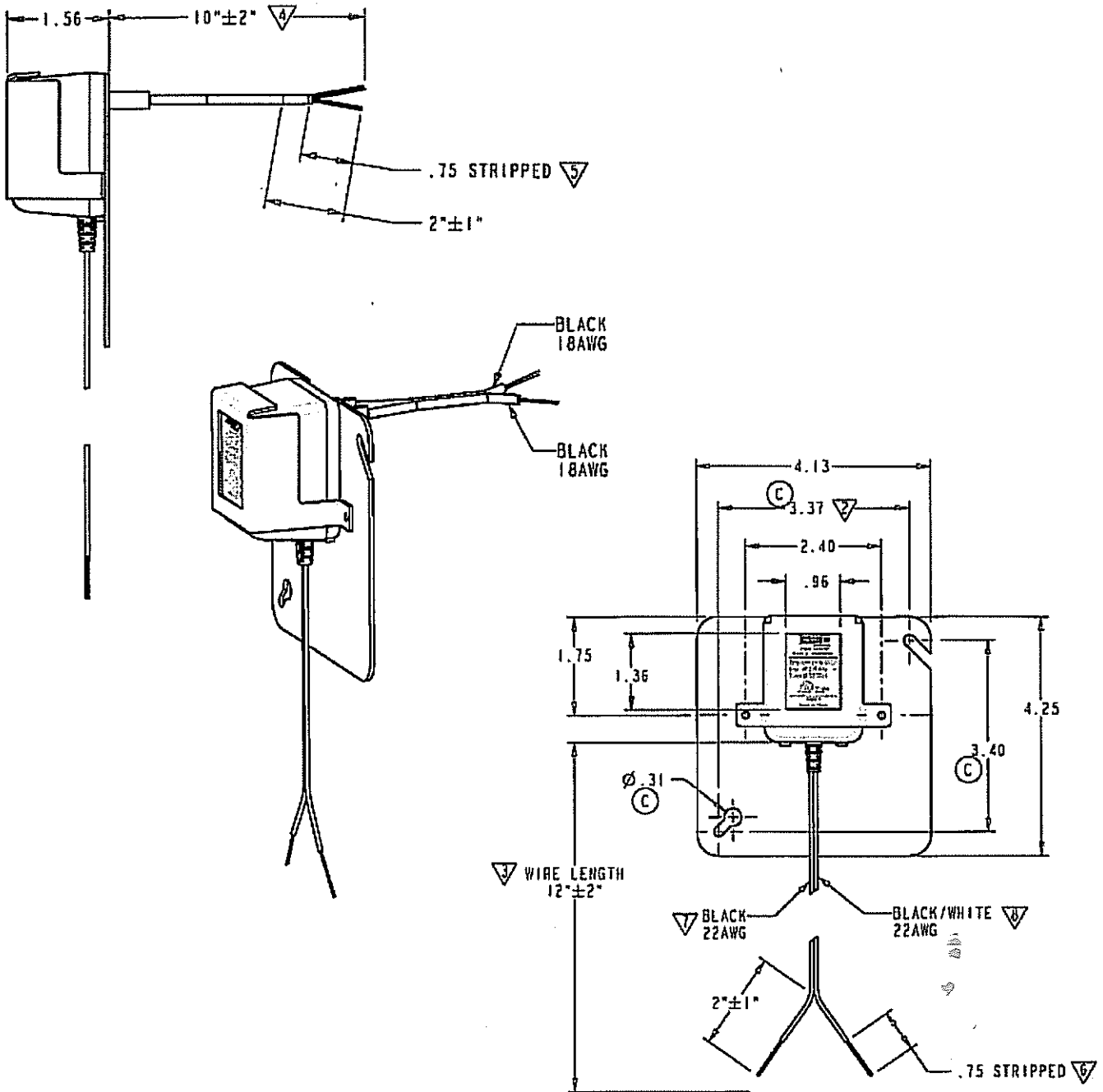


TRANSFORMER

240.631.00.1 Transformer Multi-Use Hardwired

Fitting No.	240.631.00.1	FOR TECHNICAL ASSISTANCE 1-800-TEC-TRUE (1-800-832-8783)	2100 South Clearwater Drive Des Plaines, IL 60018 Phone: 847-803-5000 Fax: 847-803-5454 www.chicagofaucets.com
Submitted Model No.			
Item No.			



AC/AC ADAPTER SPECIFICATIONS

- Transformer type: class 2
- Connection: Hardwired (standard 4" mounting plate)
- Input voltage: 120VAC 60Hz
- Output voltage: 12VAC
- Output current: 300mA
- Protection: Short circuit (thermal cutout)

Chicago Faucets HyTronic Electronic Faucet Multi-Use Hardwire Transformer Installation Instruction

Multi-use hardwire transformer (Chicago Faucets Part Number 240.631.00.1) can be used to connect up to 8 HyTronic Electronic Faucets.

