



CO-44-051 Series Commercial Faucet Two Handle Widespread Lavatory Faucet




Features:

- Cast brass end valves and spout body
- Choice of vandal proof Blade or Wrist Blade metal handles with color coded handle screws
- Ceramic disc cartridges
- Working parts can be easily replaced
- 8" - 12" rigid copper connections or adjustable flex connectors
- Vandal-proof aerator - 1.5 gpm (5.7 L/min) pressure compensating @ 60 psi max
- ADA compliant handles operate with less than 5 lbs. force
- Max. 1 9/16" deck thickness

Certifications:

- ASME A112.18.1M
- CABO/ANSI A117.1 (ADA)
- CSA B125
- ANSI/NSF 61-1997b

Catalog Numbers:

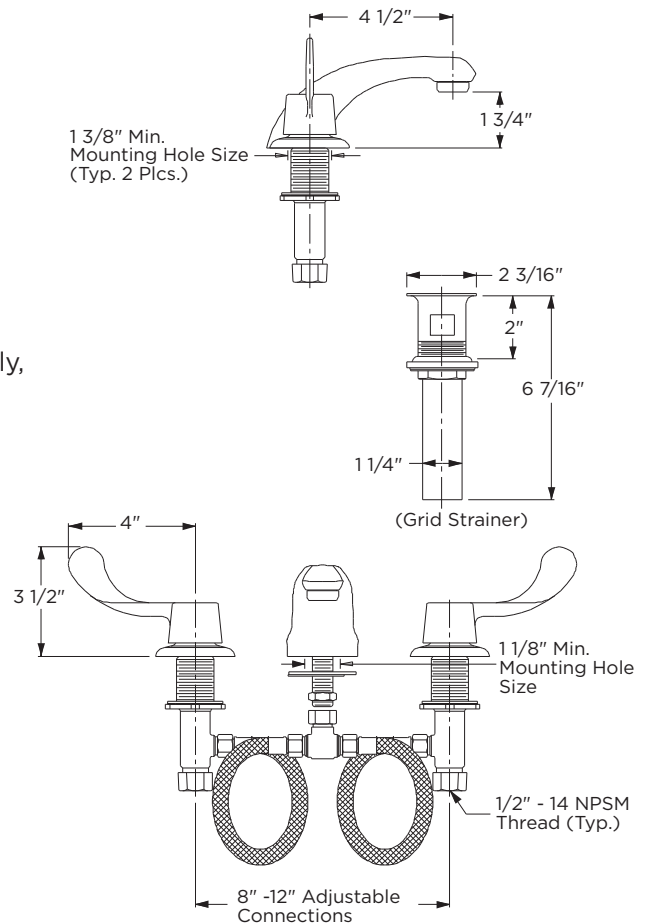
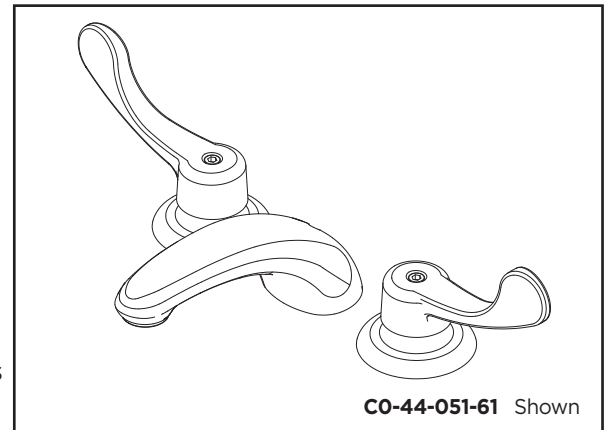
- CO-44-051** Wrist Blade Handles, Less Brass Drain Assembly, Rigid Copper Connections
- CO-44-051-61**  Wrist Blade Handles, Less Brass Drain Assembly, Flex Connections
- CO-44-052** Wrist Blade Handles, With Brass Grid Strainer, Rigid Copper Connections
- CO-44-052-61** Wrist Blade Handles, With Brass Grid Strainer, Flex Connections
- C4-44-051** Lever Handles, Less Brass Drain Assembly, Rigid Copper Connections
- C4-44-051-61** Lever handles, Less Brass Drain Assembly, Flex Connections
- C4-44-052** Lever Handles, With Brass Grid Strainer, Rigid Copper Connections
- C4-44-052-61** Lever Handles, With Brass Grid Strainer, Flex Connections

Prefixes Available:

- CO - Metal Wrist Blade Handles
- C4 - Metal Lever Handles

Suffixes Available:

- 61 Flex Connections



Job Name	
Date	
Model Specified	
Quantity	
Customer	
Contractor	
Architect/engineer	

Gerber Toll Free Technical Support: 888-648-6466
www.gerberonline.com