

AQUA SAVER™ One-Piece Elongated Toilet

12" Rough-in



Features:

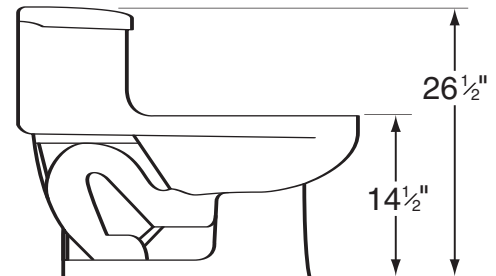
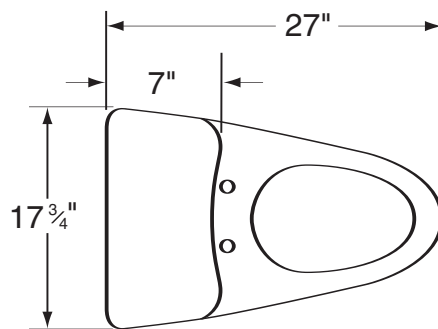
- Low Consumption 1.6 gpf (6.0 Lpf)
- Elongated Front
- Anti-Siphon Ballcock
- Glazed Trapway
- Side Tank Lever
- White, Bone, Biscuit
- 2 Bolt Caps

Dimensions:

Height 26 1/8"
 Width..... 17 3/4"
 Depth 27"
 Rough-in 12"
 Trapway (min)..... 1 5/8"
 Water Surface 7 3/4 x 7 1/4"
 Water Seal 2 3/16"
 Shipping Weight..... 70 lbs



21-015: Includes a Plastic Closed Front Top Cover Toilet Seat #99-213

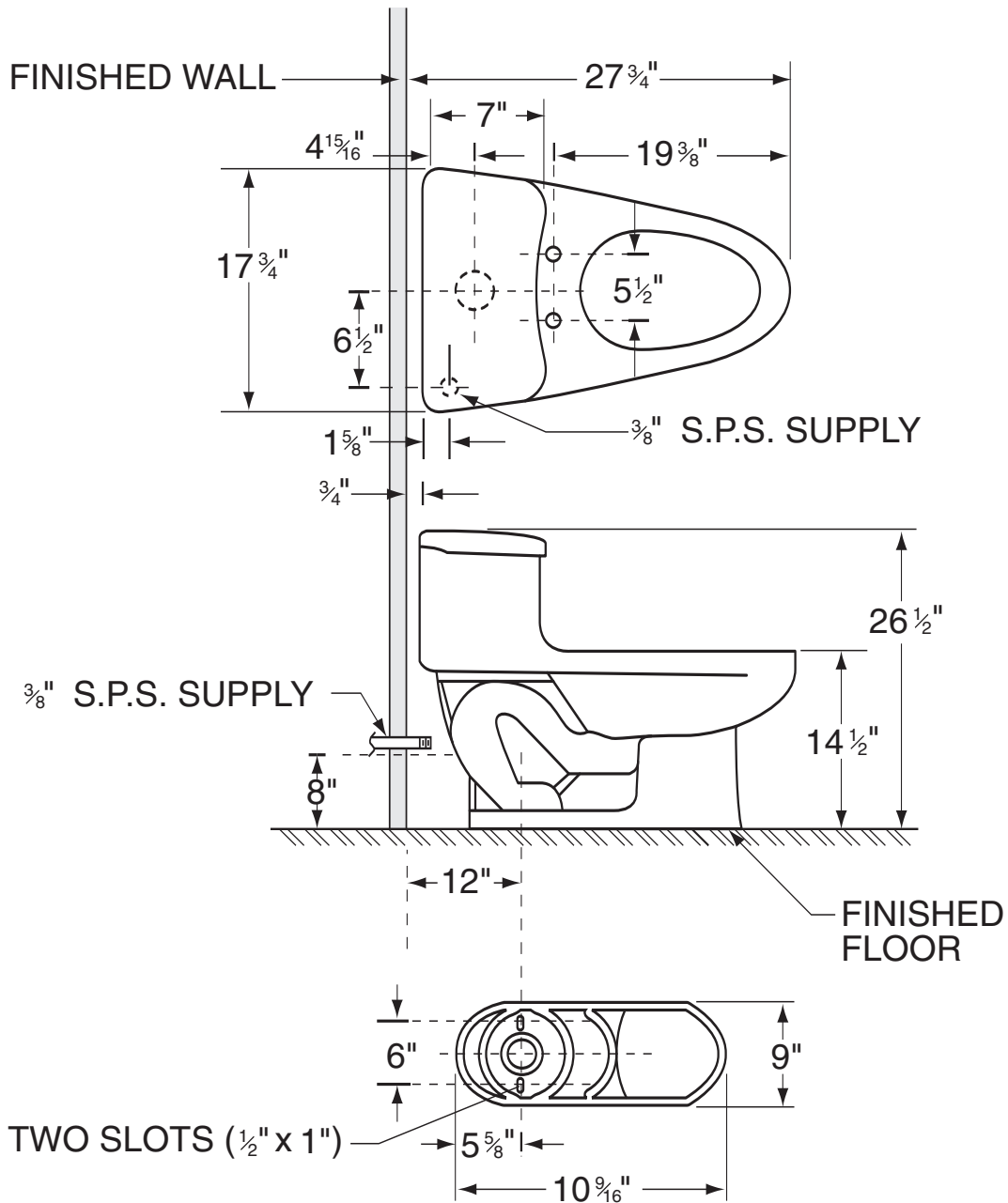


THIS FIXTURE QUALIFIES ACCORDING TO ASME TEST PROCEDURES AS A LOW CONSUMPTION WATER CLOSET WITH AN AVERAGE CONSUMPTION OF 1.6 gpf (6 Lpf) OR LESS.



GERBER®
 YOUR BUSINESS. YOUR BRAND.
www.gerberonline.com

Job Name	
Date	
Model Specified	
Quantity	
Customer	
Contractor	
Architect/engineer	



NOTES:

All dimensions are in inches.

Illustrations may not be drawn to scale.

IMPORTANT:

Dimensions of fixtures are nominal and may vary within the range of tolerances established by ASME Standard A 112.19.2.

THIS FIXTURE QUALIFIES ACCORDING TO ASME TEST PROCEDURES AS A LOW CONSUMPTION WATER CLOSET WITH AN AVERAGE CONSUMPTION OF 1.6 gpf (6 Lpf) OR LESS.