



VITREOUS CHINA

TOILET
21-112

LAVATORIES

TOILETS

BIDETS / URINALS

CAST IRON

MAXWELL® LX Elongated Toilet

12" Rough-in



Features:

- 1.6 gpf (6.0 Lpf)
- Elongated Front Bowl
- Glazed Trapway
- Reverse Trap
- Front Jet Flushing Action
- Front Tank Lever
- Available in White and Biscuit
- 2 Bolt Caps

Dimensions:

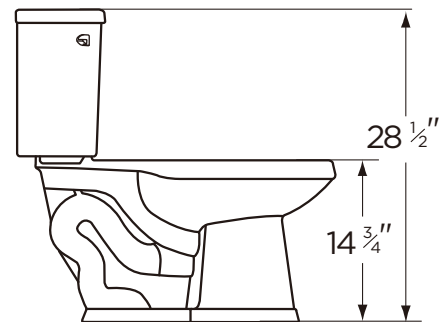
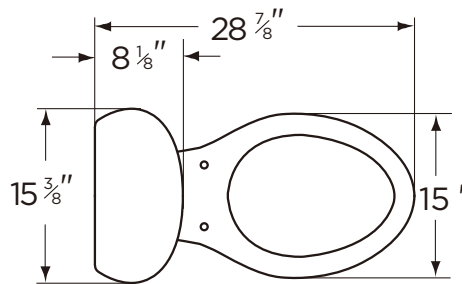
- Height 28 1/2"
- Width 15 3/8"
- Depth 28 7/8"
- Rough-in 12"
- Water Surface from Rim 5 1/2"
- Trapway 1 3/4"
- Water Surface 11" x 8"
- Water Seal 2 1/2"
- Shipping Weight 68.5 lbs



Specifications: Bowl—#21-162 Elongated Bowl
Seat not included

Tank—#28-190

*Average diameter of 26 equally spaced points throughout the trapway of 3 randomly selected bowls



THIS FIXTURE QUALIFIES ACCORDING TO ASME TEST PROCEDURES AS A LOW CONSUMPTION WATER CLOSET WITH AN AVERAGE CONSUMPTION OF 1.6 GAL. OR LESS.



www.gerberonline.com

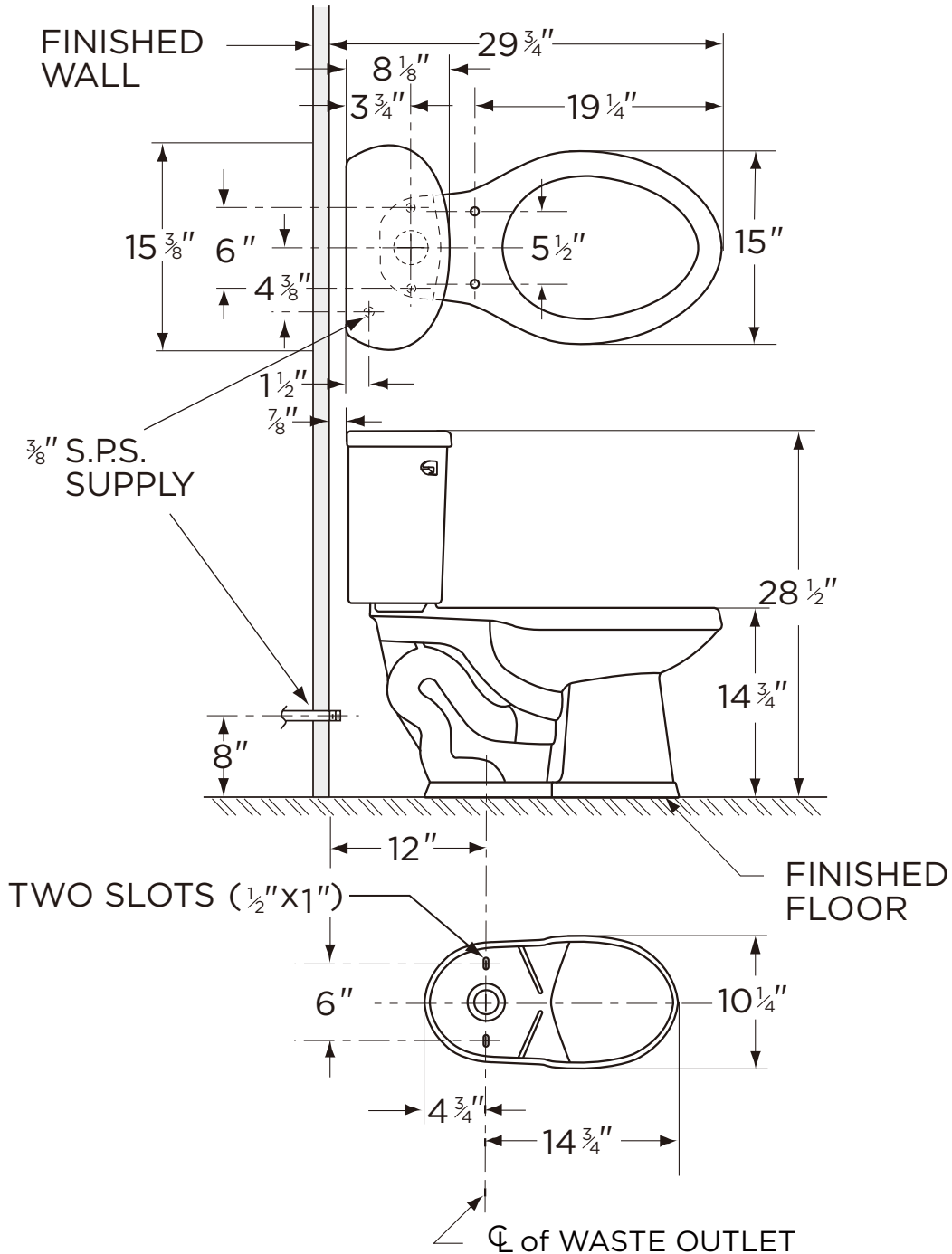
Job Name	
Date	
Model Specified	
Quantity	
Customer	
Contractor	
Architect/engineer	



1.6 gpf (6.0 Lpf) MAXWELL® LX TOILET

21-112

Elongated, 12" Rough-in
(Bowl 21-162 with Tank 28-190)



NOTES:

All dimensions are in inches.

Illustrations may not be drawn to scale.

IMPORTANT:

Dimensions of fixtures are nominal and may vary within the range of tolerances established by ASME Standard A 112.19.2.

THIS FIXTURE QUALIFIES ACCORDING TO ASME TEST PROCEDURES AS A LOW CONSUMPTION WATER CLOSET WITH AN AVERAGE CONSUMPTION OF 1.6 gpf (6 Lpf) OR LESS.