



VITREOUS CHINA

TOILET
21-600

LAVATORIES

TOILETS

BIDETS / URINALS

CAST IRON

LYNX™ Round Front Toilet

10" Rough-in

Features:

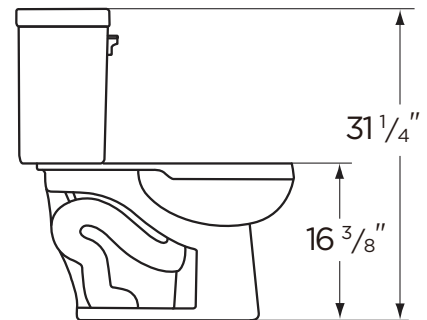
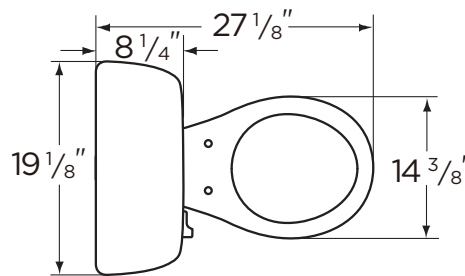
- 1.6 gpf (6.0 Lpf)
- Round Front Bowl
- Front Jet Flushing Action
- 2" Flush Valve
- Gravity-Fed Flush
- Fully Glazed Trapway
- Reverse Trap
- Extra-large Footprint is Ideal for Retrofits
- Front, Color-matched Tank Lever
- Available in White
- 2 Bolt Caps



Dimensions:

- Height..... 31 1/4"
- Width..... 19 1/8"
- Depth..... 27 1/8"
- Rough-in..... 10"
- Water Surface from Rim..... 6 1/4"
- Trapway (min)..... 2"
- Water Surface..... 9 1/8" x 6 3/8"
- Water Seal..... 2 1/8"
- Shipping Weight..... 85 lbs

Specifications: Bowl – #21-650 Round front Bowl Tank – #28-690
Seat not included



THIS FIXTURE QUALIFIES
ACCORDING TO ASME TEST
PROCEDURES AS A WATER CLOSET
WITH AN AVERAGE CONSUMPTION
OF 1.6 GAL. OR LESS.



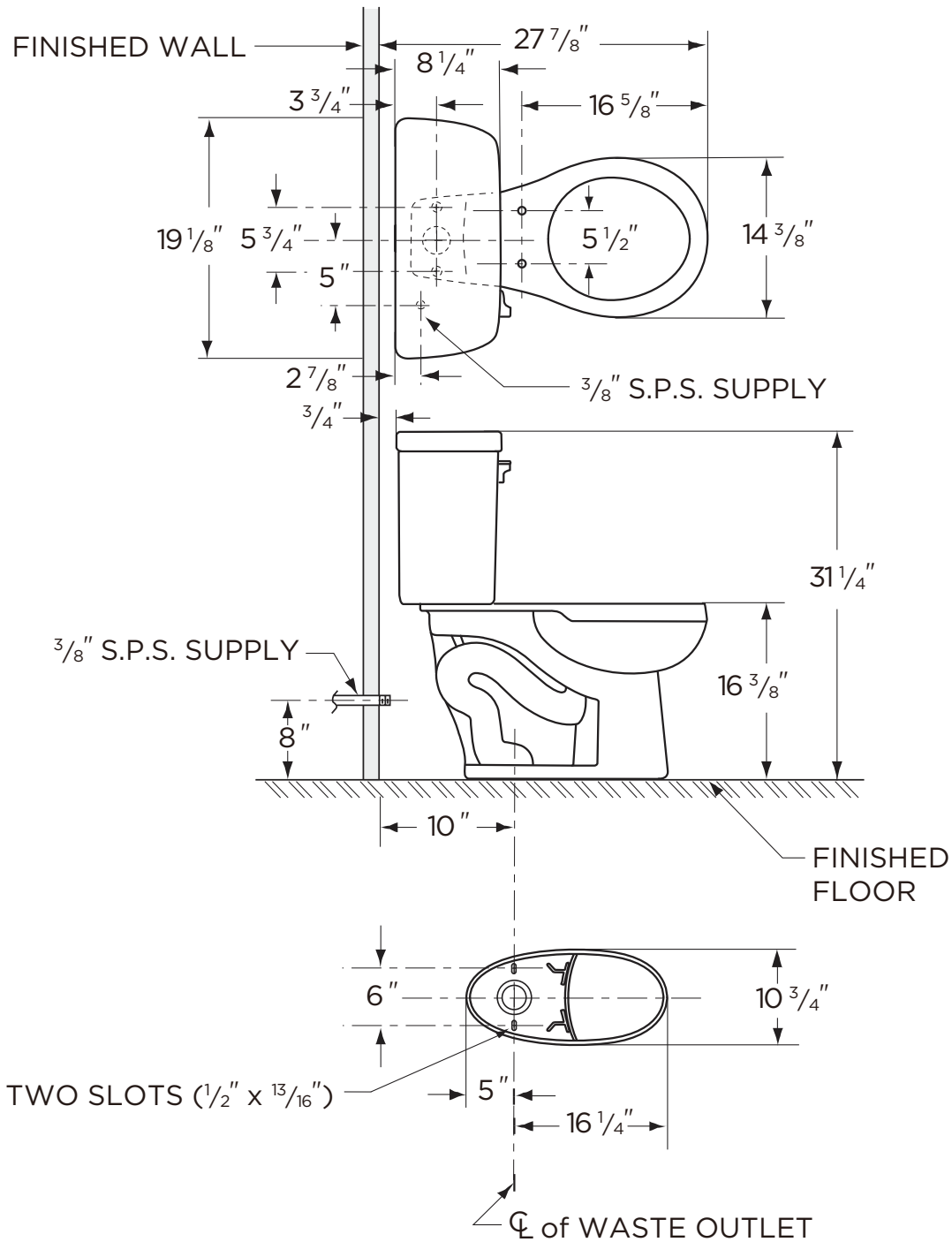
www.gerberonline.com

Job Name	
Date	
Model Specified	
Quantity	
Customer	
Contractor	
Architect/engineer	



1.6 gpf (6 Lpf) LYNX™ TOILET

21-600
Round Front, 10" Rough-in
(Bowl 21-650 and Tank 28-690)



NOTES:
All dimensions are in inches.

Illustrations may not be drawn
to scale.

IMPORTANT:

Dimensions of fixtures are nominal and may vary
within the range of tolerances established by ASME
Standard A 112.19.2.

THIS FIXTURE QUALIFIES ACCORDING TO ASME
TEST PROCEDURES AS A WATER CLOSET WITH AN
AVERAGE CONSUMPTION OF 1.6 gpf (6 Lpf) OR LESS.