



VITREOUS CHINA

TOILET
21-602

LAVATORIES

TOILETS

BIDETS / URINALS

CAST IRON

LYNX™ Round Front Toilet

12" Rough-in



Features:

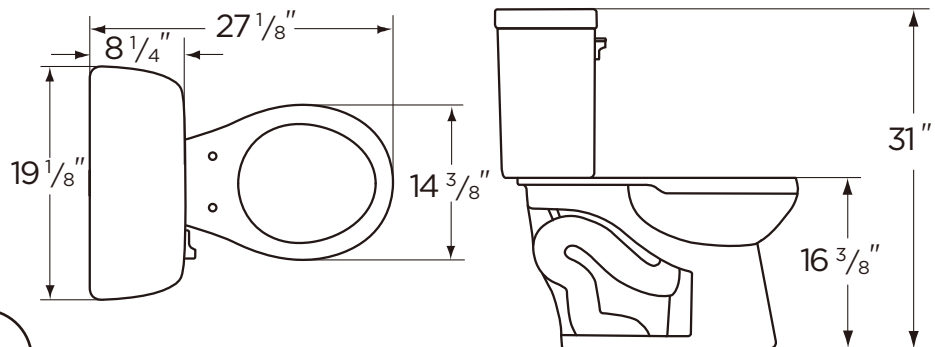
- 1.6 gpf (6.0 Lpf)
- Round Front Bowl
- Extra-large Footprint is Ideal for Retrofits
- Glazed Trapway
- Reverse Trap
- Front Jet Flushing Action
- Front Tank Lever
- Available in White
- 2 Bolt Caps



Dimensions:

- Height 31"
- Width 19 1/8"
- Depth 27 1/8"
- Rough-in 12"
- Water Surface from Rim 6 1/2"
- Trapway (min) 2"
- Water Surface 6 1/4" x 9 1/8"
- Water Seal 2 3/8"
- Shipping Weight 86 lbs

Specifications: Bowl – #21-652 Round Front Tank – #28-690
Seat not included



THIS FIXTURE QUALIFIES ACCORDING TO ASME TEST PROCEDURES AS A WATER CLOSET WITH AN AVERAGE CONSUMPTION OF 1.6 GAL. OR LESS.



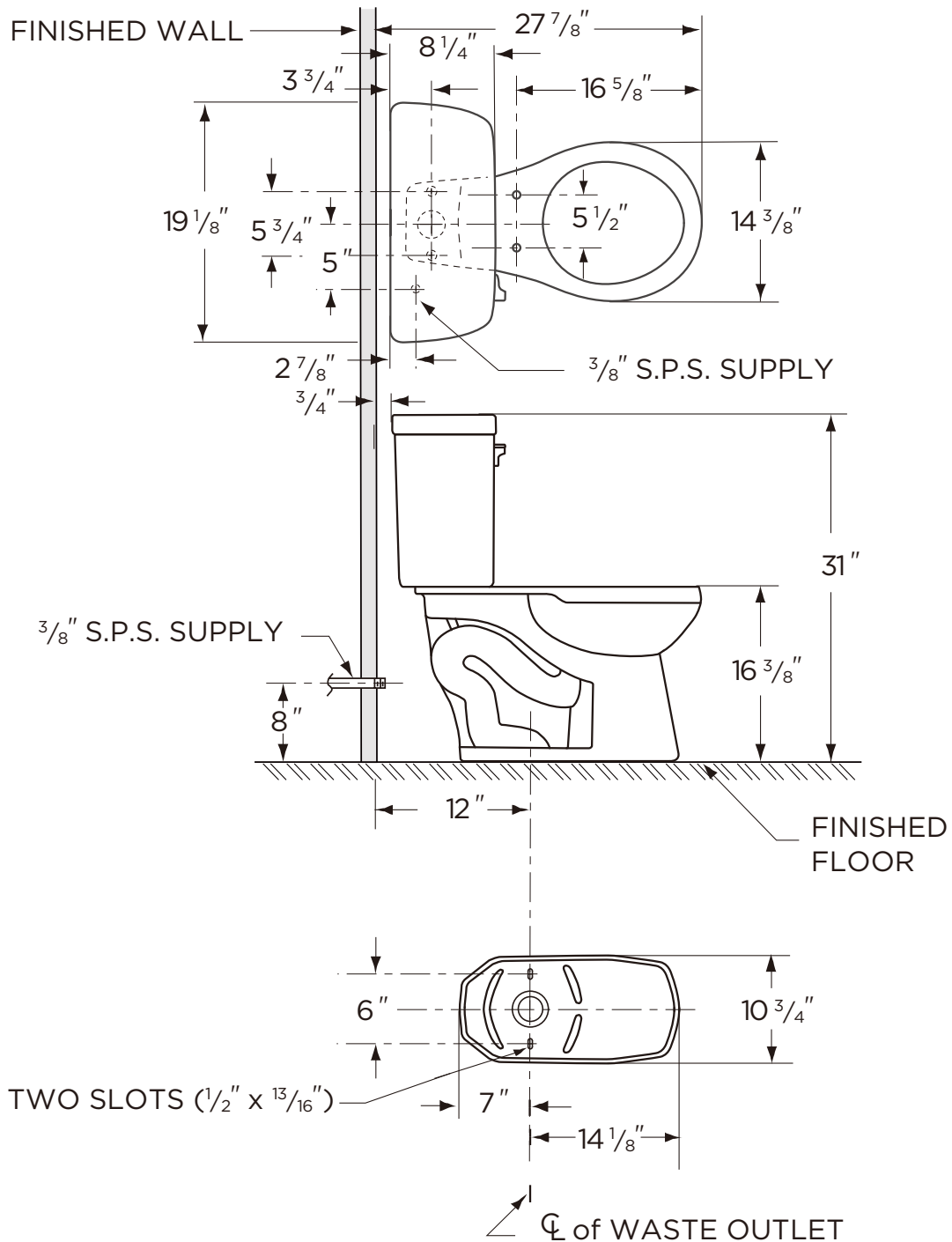
www.gerberonline.com

Job Name	
Date	
Model Specified	
Quantity	
Customer	
Contractor	
Architect/engineer	



1.6 gpf (6 Lpf) LYNX™ TOILET

21-602
Round Front, 12" Rough-in
(Bowl 21-652 and Tank 28-690)



NOTES:
All dimensions are in inches.
Illustrations may not be drawn to scale.

IMPORTANT:
Dimensions of fixtures are nominal and may vary within the range of tolerances established by ASME Standard A 112.19.2.
THIS FIXTURE QUALIFIES ACCORDING TO ASME TEST PROCEDURES AS A WATER CLOSET WITH AN AVERAGE CONSUMPTION OF 1.6 gpf (6 Lpf) OR LESS.