



VITREOUS CHINA

TOILET
21-612

LAVATORIES

TOILETS

BIDETS / URINALS

CAST IRON

LYNX™ Elongated Toilet

12" Rough-in

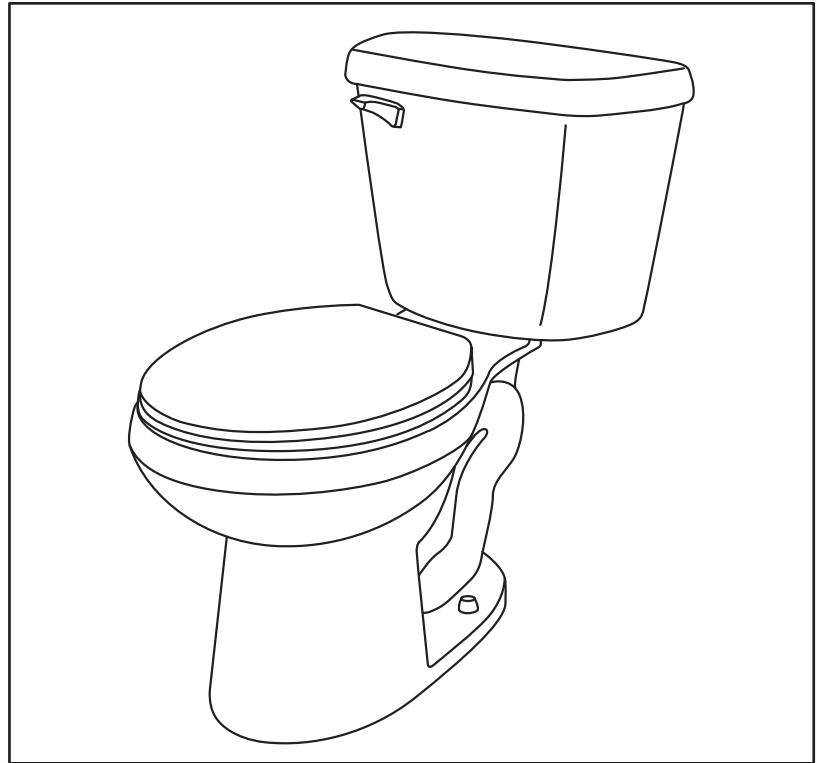


Features:

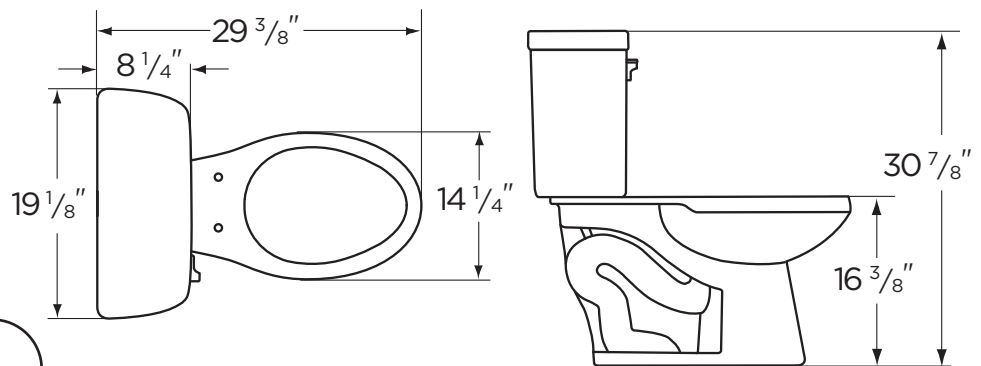
- 1.6 gpf (6.0 Lpf)
- Elongated Bowl
- Extra-large Footprint is Ideal for Retrofits
- Glazed Trapway
- Reverse Trap
- Front Jet Flushing Action
- Front Tank Lever
- Available in White
- 2 Bolt Caps

Dimensions:

- Height 30 7/8"
- Width 19 1/8"
- Depth 29 3/8"
- Rough-in 12"
- Water Surface from Rim 6 1/4"
- Trapway (min) 2"
- Water Surface 6 5/8" x 10"
- Water Seal 2 1/8"
- Shipping Weight 91 lbs



Specifications: Bowl – #21-662 Elongated Bowl Tank – #28-690
Seat not included



THIS FIXTURE QUALIFIES ACCORDING TO ASME TEST PROCEDURES AS A WATER CLOSET WITH AN AVERAGE CONSUMPTION OF 1.6 GAL. OR LESS.



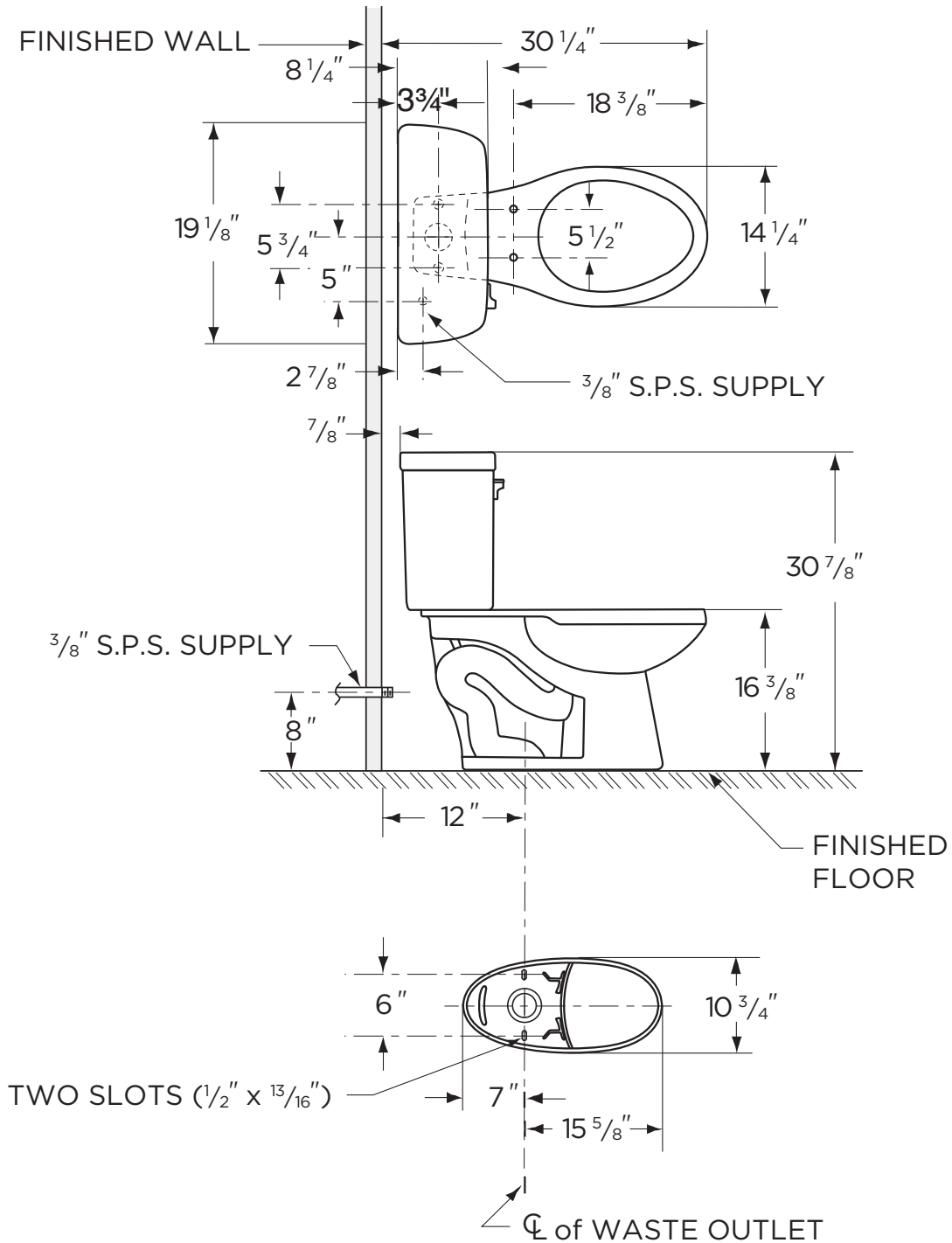
Job Name	
Date	
Model Specified	
Quantity	
Customer	
Contractor	
Architect/engineer	

www.gerberonline.com



1.6 gpf (6 Lpf) LYNX™ TOILET

21-612
Elongated, 12" Rough-in
(Bowl 21-662 and Tank 28-690)



NOTES:
All dimensions are in inches.
Illustrations may not be drawn to scale.

IMPORTANT:
Dimensions of fixtures are nominal and may vary within the range of tolerances established by ASME Standard A 112.19.2.
THIS FIXTURE QUALIFIES ACCORDING TO ASME TEST PROCEDURES AS A WATER CLOSET WITH AN AVERAGE CONSUMPTION OF 1.6 gpf (6 Lpf) OR LESS.