



VITREOUS CHINA

TOILET
21-618

LAVATORIES

TOILETS

BIDETS / URINALS

CAST IRON



LYNX™ ErgoHeight™ 17" High Elongated Toilet

12" Rough-in

Features:

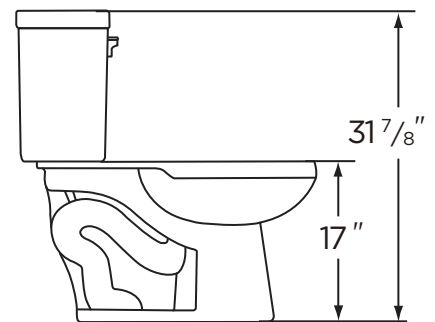
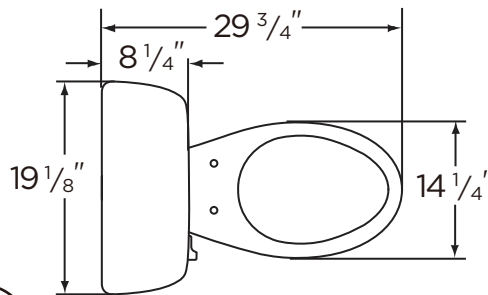
- 1.6 gpf (6.0 Lpf)
- ADA Elongated Bowl
- Front Jet Flushing Action
- 2" Flush Valve
- Gravity-Fed Flush
- Fully Glazed Trapway
- Reverse Trap
- Extra-large Footprint is Ideal for Retrofits
- Front, Color-matched Tank Lever
- Available in White
- 2 Bolt Caps



Dimensions:

- Height.....31 7/8"
- Width.....19 1/8"
- Depth.....29 3/4"
- Rough-in12"
- Water Surface from Rim6 1/4"
- Trapway (min).....2"
- Water Surface9 5/8" x 6 1/2"
- Water Seal2 1/8"
- Shipping Weight91 lbs

Specifications: Bowl—#21-628 Elongated Bowl Tank—#28-690
Seat not included



THIS FIXTURE QUALIFIES ACCORDING TO ASME TEST PROCEDURES AS A WATER CLOSET WITH AN AVERAGE CONSUMPTION OF 1.6 GAL. OR LESS.



www.gerberonline.com

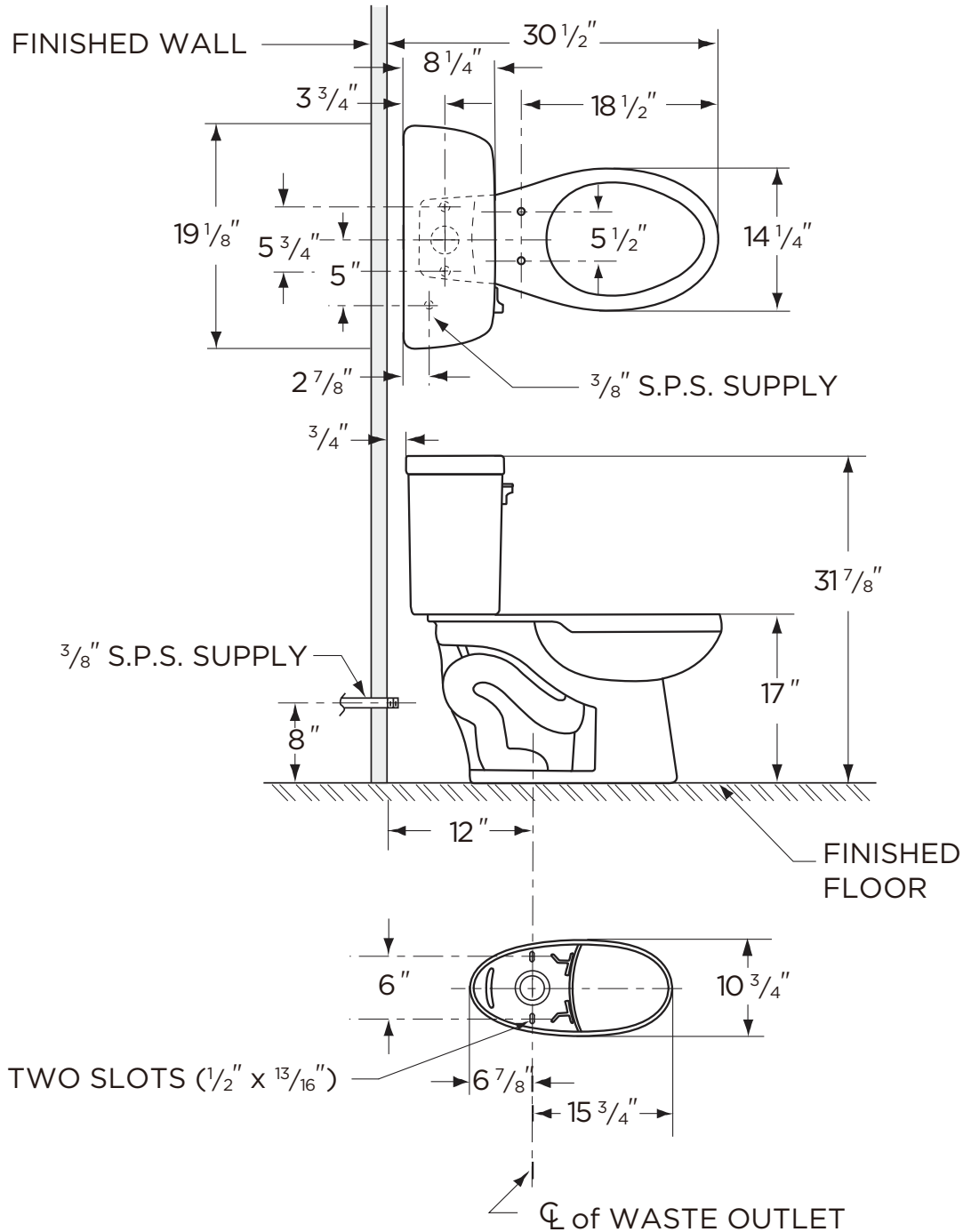
Job Name	
Date	
Model Specified	
Quantity	
Customer	
Contractor	
Architect/engineer	



1.6 gpf (6 Lpf) LYNX™ TOILET

21-618

17" High Elongated, 12" Rough-in
(Bowl 21-628 Elongated Bowl and Tank 28-690)



NOTES:
All dimensions are in inches.

Illustrations may not be drawn to scale.

IMPORTANT:

Dimensions of fixtures are nominal and may vary within the range of tolerances established by ASME Standard A 112.19.2.

THIS FIXTURE QUALIFIES ACCORDING TO ASME TEST PROCEDURES AS A WATER CLOSET WITH AN AVERAGE CONSUMPTION OF 1.6 gpf (6 Lpf) OR LESS.