



VITREOUS CHINA

TOILET
21-817

LAVATORIES

TOILETS

BIDETS / URINALS

CAST IRON



AVALANCHE™ ErgoHeight™ 17" High Elongated Toilet

10" Rough-in

Features:

- 1.6 gpf (6.0 Lpf)
- ADA Elongated Bowl
- Elegant Slimline Tank With Side Trip Lever
- Fluidmaster® Fill Valve
- Gerber XP3 Flushing Technology
- 3" Flush Valve
- Glazed Trapway
- Reverse Trap
- Dual Feed Jet
- White, Bone and Biscuit
- Color-Matched Tank Lever
- 2 Bolt Caps

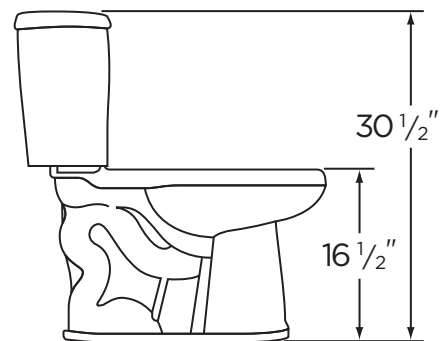
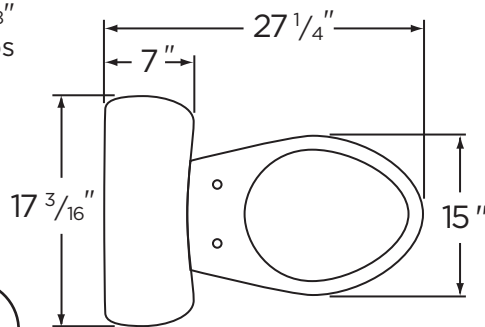


Dimensions:

- Height 28 1/8"
- Width 17 1/4"
- Depth 26 7/8"
- Rough-in 12"
- Water Surface from Rim ... 5 3/4"
- Trapway (min)..... 2"
- Water Surface 10 5/8" x 9 1/8"
- Water Seal 2 3/8"
- Shipping Weight 83 lbs

Specifications: Bowl—#21-828 Elongated Bowl
Seat not included

Tank—#28-895



THIS FIXTURE QUALIFIES ACCORDING TO ASME TEST PROCEDURES AS A WATER CLOSET WITH AN AVERAGE CONSUMPTION OF 1.6 gpf (6 Lpf) OR LESS.



www.gerberonline.com

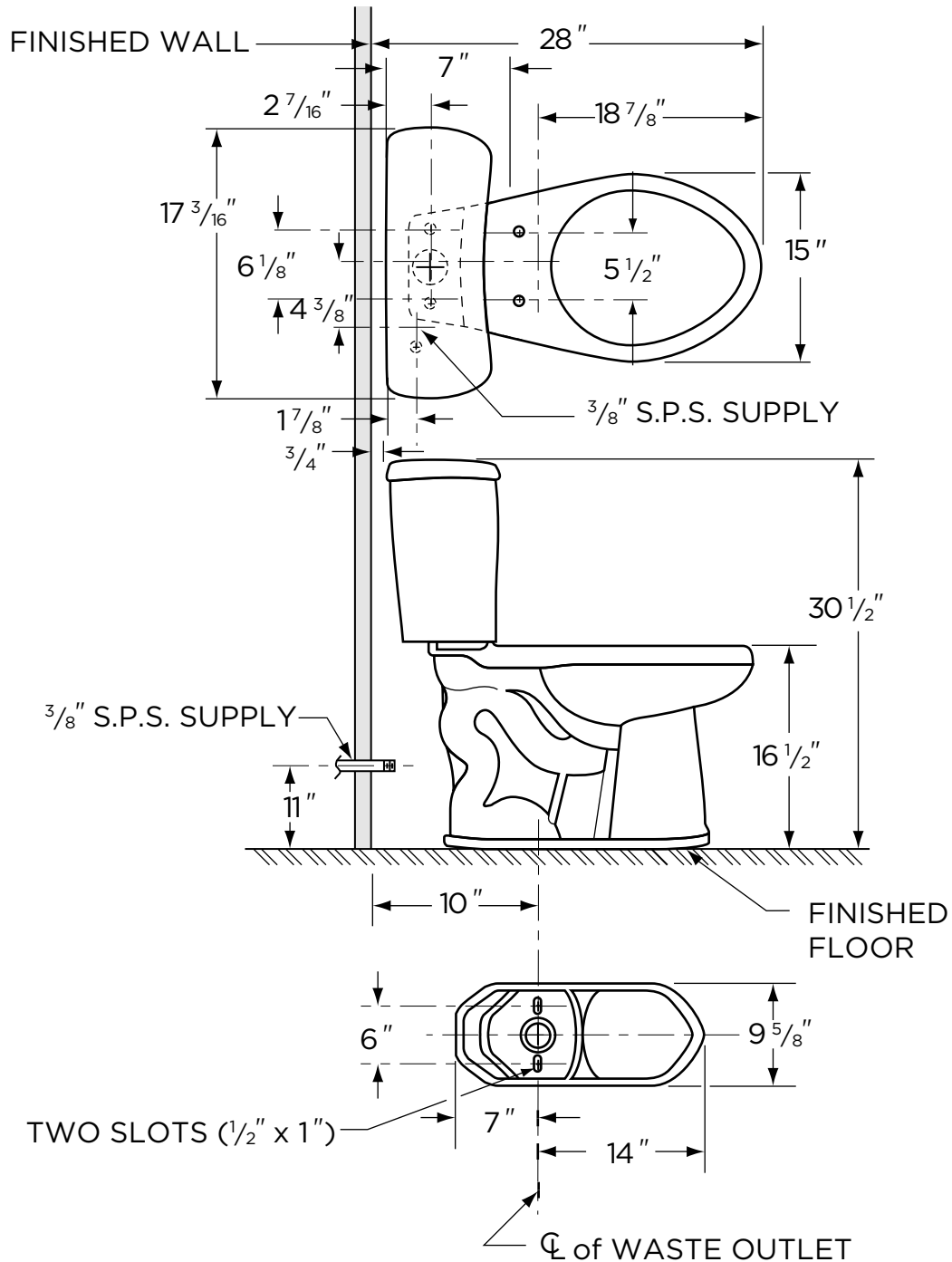
Job Name	
Date	
Model Specified	
Quantity	
Customer	
Contractor	
Architect/engineer	



1.6 gpf (6 Lpf) AVALANCHE™ TOILET

21-817

17" High Elongated, 10" Rough-in
(Bowl 21-828 with Tank 28-895)



NOTES:
All dimensions are in inches.

Illustrations may not be drawn
to scale.

IMPORTANT:

Dimensions of fixtures are nominal and may vary
within the range of tolerances established by ASME
Standard A 112.19.2.

THIS FIXTURE QUALIFIES ACCORDING TO ASME
TEST PROCEDURES AS A WATER CLOSET WITH AN
AVERAGE CONSUMPTION OF 1.6 gpf (6 Lpf) OR LESS.