



VITREOUS CHINA

TOILET  
**RF-21-017**

LAVATORIES

TOILETS

BIDETS / URINALS

CAST IRON

12" Rough-in

**MAXWELL**<sup>®</sup>  
by GERBER.

## One-Piece Round Front Toilet

### Features:

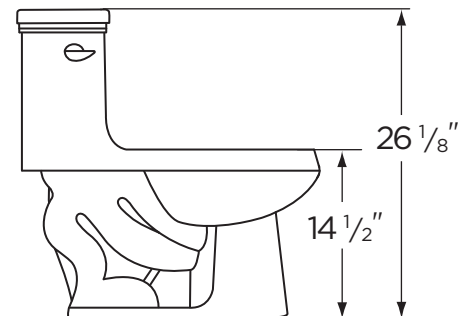
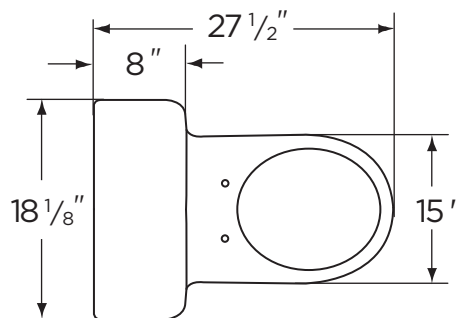
- 1.6 gpf (6.0 Lpf)
- Round Front
- Glazed Trapway
- Reverse Trap
- Front Jet Flushing Action
- Side Tank Lever
- White, Bone and Biscuit
- 2 Bolt Caps

### Dimensions:

Height ..... 26 1/8"  
 Width ..... 18 1/8"  
 Depth ..... 27 1/2"  
 Rough-in ..... 12"  
 Water Surface from Rim ... 5 7/8"  
 Trapway ..... 2"  
 Water Surface ..... 10 1/8" x 8 3/8"  
 Water Seal ..... 2 3/8"  
 Shipping Weight ..... 90 lbs



**Specifications:** One-Piece Toilet  
Seat not included



THIS FIXTURE QUALIFIES ACCORDING TO ASME TEST PROCEDURES AS A WATER CLOSET WITH AN AVERAGE CONSUMPTION OF 1.6 GAL. OR LESS.



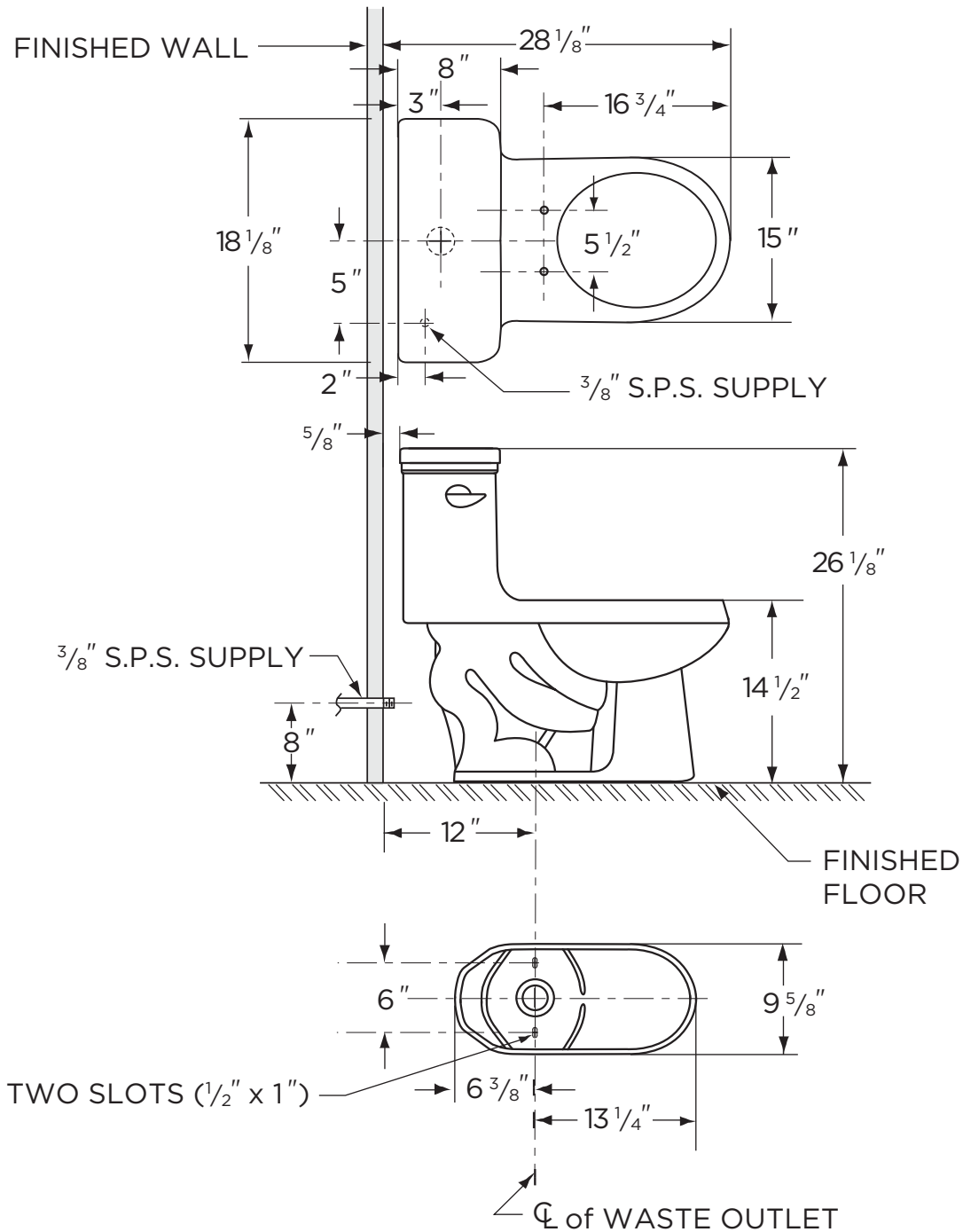
[www.gerberonline.com](http://www.gerberonline.com)

Job Name	
Date	
Model Specified	
Quantity	
Customer	
Contractor	
Architect/engineer	



1.6 gpf (6 Lpf) **MAXWELL**® TOILET

RF-21-017  
Round Front, 12" Rough-in  
(One-Piece)



**NOTES:**  
All dimensions are in inches.  
Illustrations may not be drawn to scale.

**IMPORTANT:**  
Dimensions of fixtures are nominal and may vary within the range of tolerances established by ASME Standard A 112.19.2.  
THIS FIXTURE QUALIFIES ACCORDING TO ASME TEST PROCEDURES AS A WATER CLOSET WITH AN AVERAGE CONSUMPTION OF 1.6 gpf (6 Lpf) OR LESS.