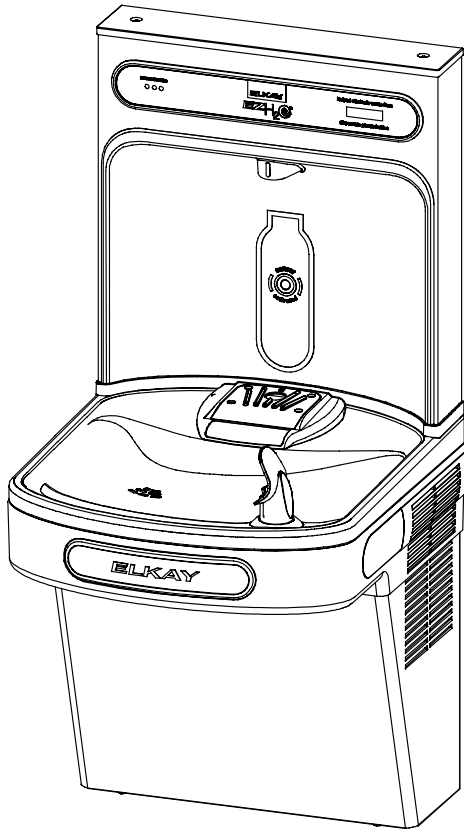




INSTALLATION, CARE & USE MANUAL

LZWSRK -EZH2O™ RETRO-FIT BOTTLE FILLING UNIT



IMPORTANT

THIS IS AN INDOOR APPLICATION ONLY.
ALL SERVICE TO BE PERFORMED BY AN
AUTHORIZED SERVICE PERSON.

TOOLS REQUIRED

BUT NOT PROVIDED:

SAFETY GLASSES
GLOVES
1-3/8" HOLE PUNCH (PROVIDED)
1/2" DRILL BIT
ELECTRIC DRILL
3/4" WRENCH OR CRECENT WRENCH
5/16" NUT DRIVER
UTILITY KNIFE
TAPE MEASURE
PENCIL
CENTER PUNCH
1/2" SOCKET & RATCHET WRENCH
5/32" ALLEN WRENCH

IMPORTANT! INSTALLER PLEASE NOTE.

THE GROUNDING OF ELECTRICAL EQUIPMENT SUCH AS TELEPHONE, COMPUTERS, ETC. TO WATER LINES IS A COMMON PROCEDURE. THIS GROUNDING MAY BE IN THE BUILDING OR MAY OCCUR AWAY FROM THE BUILDING. THIS GROUNDING CAN CAUSE ELECTRICAL FEEDBACK INTO A FOUNTAIN, CREATING AN ELECTROLYSIS WHICH CAUSES A METALLIC TASTE OR AN INCREASE IN THE METAL CONTENT OF THE WATER. THIS CONDITION IS AVOIDABLE BY USING THE PROPER MATERIALS AS INDICATED. ANY DRAIN FITTINGS PROVIDED BY THE INSTALLER SHOULD BE MADE OF PLASTIC TO ELECTRICALLY ISOLATE THE FOUNTAIN FROM THE BUILDING PLUMBING SYSTEM. WE SUGGEST THAT THE BOTTLE FILLING STATION AND WATER COOLER BE PROTECTED BY A GROUND FAULT CIRCUIT INTERRUPTER (GFCI).

INSTALLER

LZWSR Bottle Fillers are among the easiest to install on the market today. To insure you install these models easily and correctly, PLEASE READ THESE SIMPLE INSTRUCTIONS BEFORE STARTING THE INSTALLATION. CHECK YOUR INSTALLATION FOR COMPLIANCE WITH PLUMBING, ELECTRICAL, AND OTHER APPLICABLE CODES. After installation, leave these instructions with the Fountain for future reference.

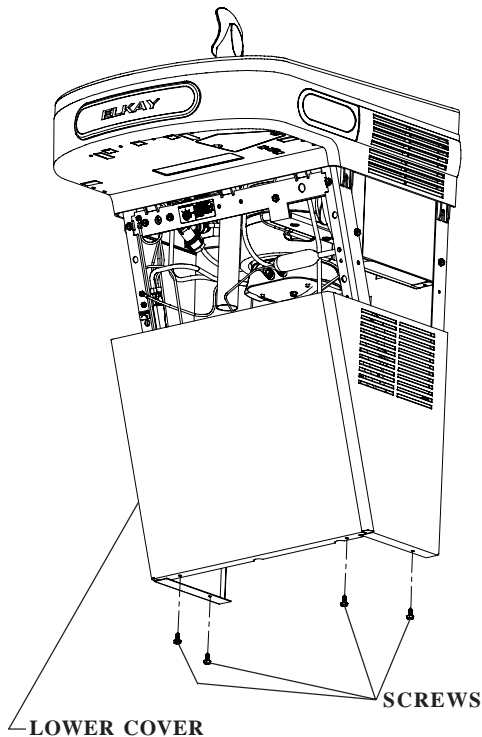
WATER COOLER PREPARATION

Fig. 1

- 1) Remove lower front panel of watercooler by removing the four (4) screws from the bottom of cooler. (See FIG. 1) NOTE: For Two Level Models the Bottle Filling Unit should be mounted to the higher unit. Both lower front panels and basin assemblies will need to be removed.
- 2) **Power OFF circuit that the water cooler is connected to by switching the circuit breaker to the "OFF" position or by removing the fuse to the circuit. Remove the water cooler plug from the outlet and shut off water supply.**
- 3) Locate Drain Mat and place on back of EZ cooler basin to use as a template.
- 4) Locate 1-3/8" diameter hole on left side of Drain Mat (See FIG. 2). Mark center of hole on basin with pencil. Remove the drain mat from the cooler (**DO NOT THROW AWAY! It will be needed for bottle filler installation.**)
- 5) Remove Basin Assembly by loosening four (4) screws two on each side of cooler as shown in Fig. 3. Disconnect water line "A" from bubbler at the evaporator tank (See Fig. 7). NOTE: When disconnecting water lines use a container to catch any water running out of the lines. Disconnect basin assembly from drain trap. Lift basin assembly straight up to remove, and disconnect two wires from push bar switches. (Note: This will allow easier assembly of water filter to unit and pressurization of the unit.)

EWF3000 WATERSENTRY PLUS FILTER INSTALLATION

NOTICE: Do not use with water that is microbiologically unsafe or of unknown quality without adequate disinfection before or after the system.

- 1) These filter kits must be installed in compliance with all state and local laws and regulations governing the installation and use of this product. Maximum inlet water temperature 100°F (38°C).
- 2) Remove filter bracket from filter head assembly and flip it over and reinstall it to the filter head (see Fig. 4).
- 3) See filter instructions for filter assembly. Insert 3/8" elbow fitting into the inlet side of filter head, insert 1/4" polytube or 1/4" x 90° elbow into outlet side of filter head prior to mounting the filter head assembly into the cooler.
- 4) Mount filter head as shown in Fig. 4, using the filter mounting bracket and screws supplied. For Two-Level units the filter must be mounted to the L.H. non-refrigerated unit at the same location as shown in Fig. 4.

PRESSURIZATION OF WATER SYSTEM

- 1) Remove water inlet (B) and outlet (C) from solenoid valve (See Fig. 7). NOTE: When disconnecting water lines use a container to catch any water running out of the lines.
- 2) **CAUTION: If supply pressure will ever exceed 100 psi, install a pressure regulator to limit the inlet pressure to the filter to 100 psi or below. DO NOT ATTACH HOT WATER LINE TO FILTER.** To make connections on the filter head, loosen locknut. Push the tube end past both o-rings to a positive stop in the filter head recess - approx. 1", locknut may have to be backed out a little more. Screw the locknut hand tight to seal (See Fig. 5). Ends of tubing must be cut square and free of burrs and sharp ends that could cut or nick the o-rings.
- 3) Remove the 3/8" copper water inlet from the evaporator (See Fig. 7a).
- 4) Connect the outlet of the filter to the inlet of the evaporator using the 1/4" O.D. poly tubing and 1/4" union supplied (See Fig. 8 or 8A).
- 5) Cut a 12" long piece of poly tube and insert one end into the outlet side of the evaporator "D" (See Fig. 8), connect Tee to other end of tube.
- 6) Cut a 12" long piece of poly tube and insert into the Tee and the other end into the inlet side of the solenoid valve "E".

TWO-LEVEL MODIFICATION OF WATER SYSTEM

NOTE: Two-Level water systems are already plumbed for pressurization.

STANDARD TWO-LEVEL MODELS

Follow instruction 2 thru 4 under "Pressurization of water system" to attach filter to water system. The non-refrigerated side must be removed from the wall in order to remove the basin assy. and install the filter head assy.

- 1) Remove the Two-Level Cover Plate from the right hand side of the non-refrigerated unit in order to access the rear Basin Assy. screw.
- 2) Cut poly tube "H" between the existing tee and the solenoid valve of the L.H. unit.
- 3) Insert supplied 1/4" Tee in water line "H" where it was just cut (See Fig. 8A).

TWO-LEVEL REVERSED MODELS

Follow instruction 2 thru 4 under "Pressurization of water system" to attach filter to water system. The non refrigerated side must be removed from the wall in order to remove the basin assy. and install the filter head assy.

- 1) Remove the Bi-Level Cover Plate from the left hand side of the refrigerated unit in order to access the rear Basin Assy. screw (See Fig 3).
- 2) Cut poly tube "H" approximately 3" from the left side of the existing tee.
- 3) Insert supplied 1/4" tee in water line "H" where it was just cut.

DRAIN MAT ASSEMBLY AND CARE

- 1) Insert a nut into each of the four hex pockets on the bottom side of mat.
 - 2) Place Drain Cover on mat and install the four screws as shown in Fig. 13.
- Note the two shorter screw are used at the back of the cover. It is recommended that the cover be removed and the drain and drain cover be cleaned weekly. To dis-assemble or re-assemble the drain cover to the mat the mat can be picked up from the front to access the nuts beneath.

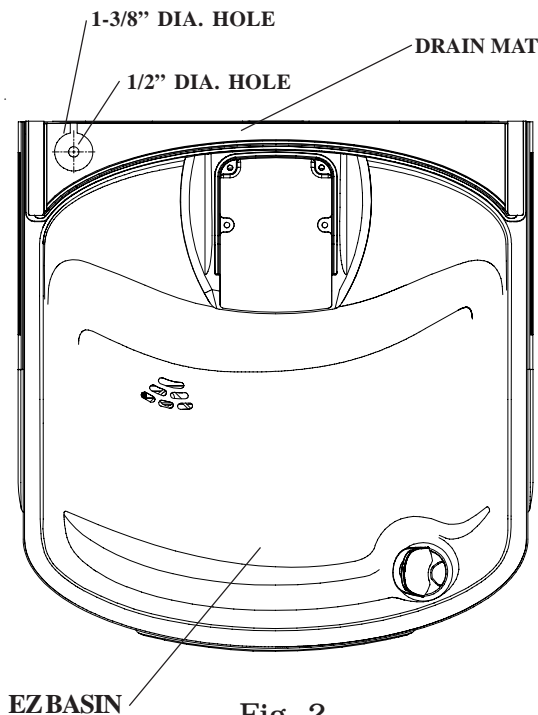
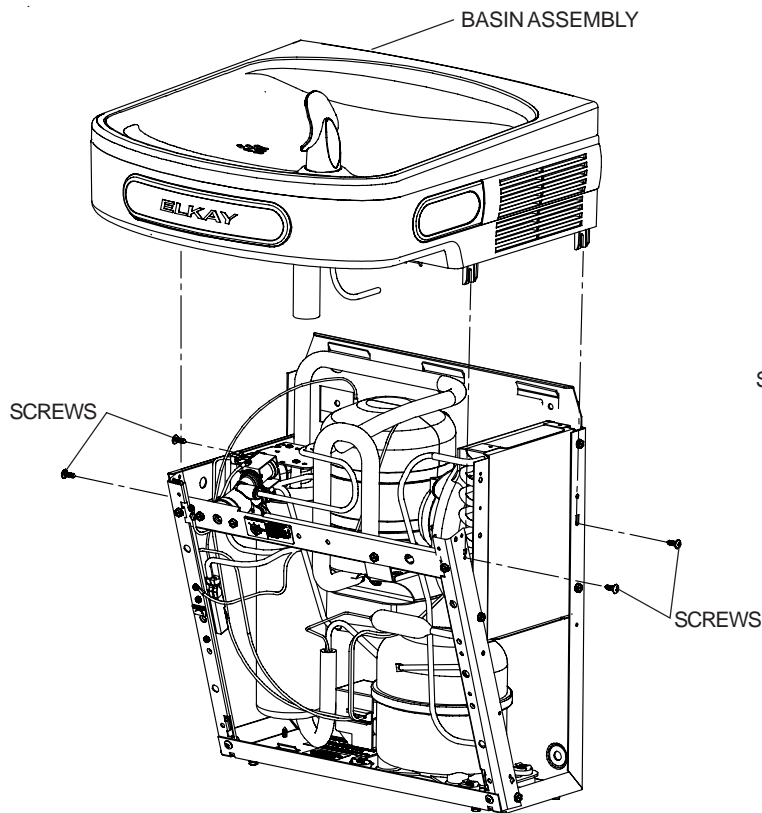
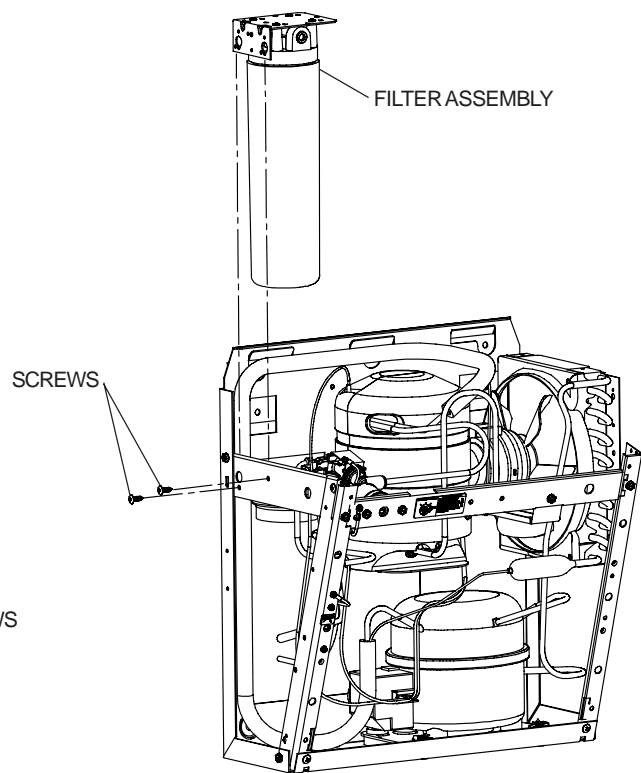


Fig. 2



Basin Assembly Removal
Fig. 3

BASIN ASSEMBLY PREPARATION



EWF3000 Filter Location
Fig. 4

- 1) Center punch 1/2" hole location on basin prior to drilling the hole in top of cooler basin using an adequate drill and 1/2" drill bit capable of drilling through stainless steel (See FIG. 2).
- 2) Locate 1-3/8" knockout punch tool (provided). Unscrew the top half from the bottom half of the tool.
- 3) With one hand holding the bottom half, and the other hand holding the top half of the punch, insert the top half bolt through the 1/2" hole in basin, then reach inside the basin assembly underneath the cooler basin with the bottom half and thread it on to the top half bolt. Tighten bottom half on punch until finger tight.
- 4) Using 3/4" wrench or crescent wrench tighten the bolt on top half of punch until basin gives way creating the larger hole. Note tool will turn hard.
- 5) Once hole is made tool may be discarded.
- 6) Locate plastic bushing (provided) and place in basin hole by pushing into hole until it snaps into place. This bushing protects the water line, wire(s), and power cord from sharp edge of basin. **This part must be used.**
- 7) **For Single Model installations:** Attach the purple wire (supplied), on to the open terminal of the solenoid valve.
- 7a) **For Two-Level Model installations:** Attach the purple wire (supplied), on to the open terminal of the solenoid valve to the unit that the basin hole was punched in for the Bottle Filling Station. Attach the yellow wire (supplied), on to the open terminal of the solenoid valve of the other unit.
- 8) Reassemble Basin Assembly back on to unit. Connect the bubbler water line to the outlet side of the solenoid valve "F" (See Fig.8), be sure to reconnect the black wire from the solenoid valve back to the purple or yellow piggyback terminal on the solenoid valve. and the other black wire back to the cold control or power cord (non-refrigerated unit), fish the purple and/or yellow wire(s) up through basin hole and reattach drain to the trap. Retighten the 4 screws two per side see Fig. 3.

STANDARD TWO-LEVEL MODELS

After completing instructions 1 thru 8 from above on the non-refrigerated side. Install filter head assembly per previous installation instructions and reinstall basin assembly to the non-refrigerated side, re-attach wiring, bubbler tube to solenoid valve and reinstall the two level cover plate to the left side of the unit. Reinstall non-refrigerated unit to wall and reinstall drain.

TWO-LEVEL REVERSED MODELS

After completing instructions 1 thru 8 from above on the refrigerated side. Install filter head assembly per previous installation instructions and reinstall basin assembly to the non-refrigerated side, re-attach wiring, bubbler tube to solenoid valve and reinstall the two level cover plate to the left side of the unit. Reinstall non-refrigerated unit to wall and reinstall drain.

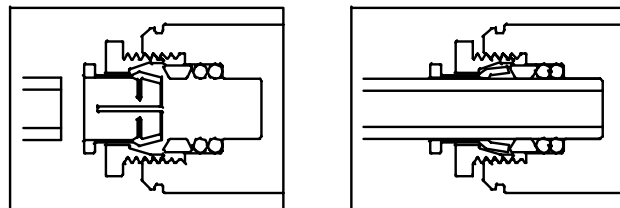


Fig. 5

OPERATION OF QUICK CONNECT FITTINGS

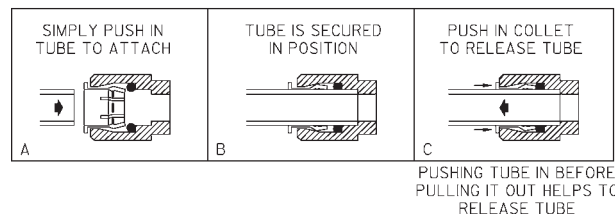
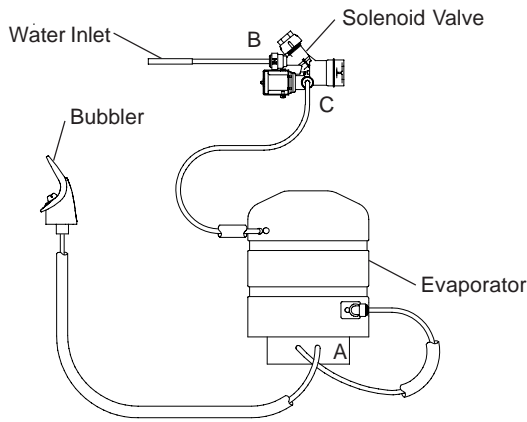
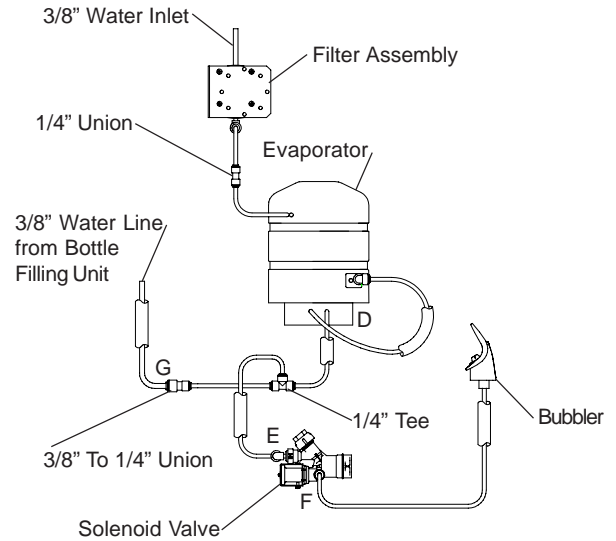


Fig. 6



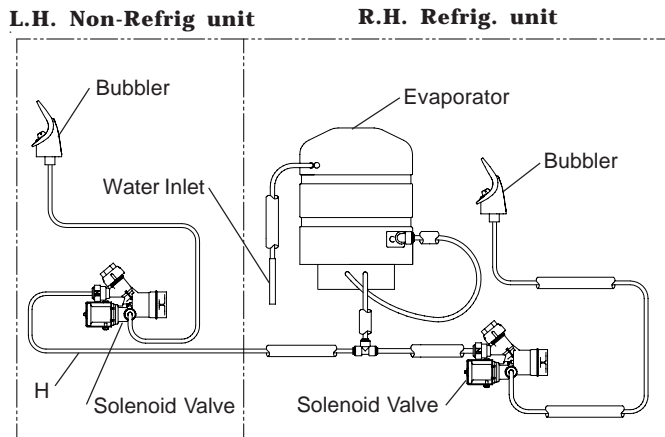
EZ Non-Pressurized Plumbing Diagram

Fig. 7



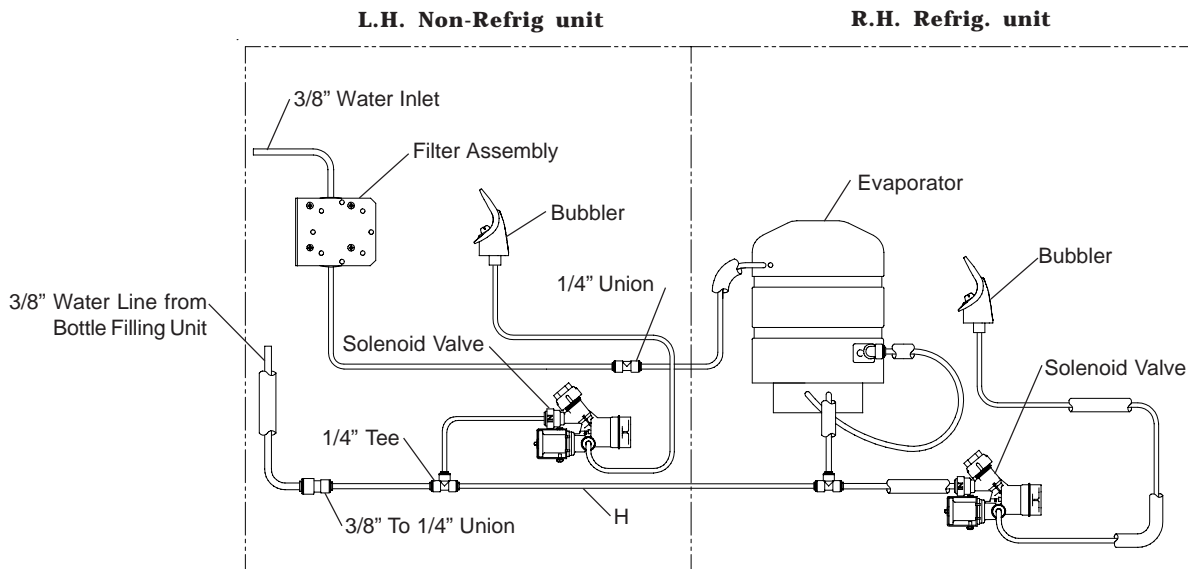
EZ Plumbing Diagram after Filter Installation & Pressurization Modifications

Fig. 8



Standard EZ Two Level Pressurized Plumbing Diagram

Fig. 7A



EZ Two Level Plumbing Diagram after Filter Installation Bottle Filler Water Line Addition

Fig. 8A

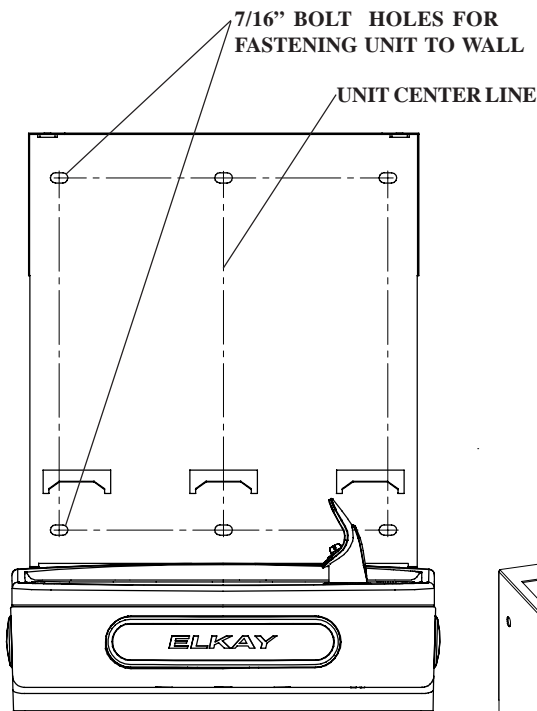


Fig. 9

WALL MOUNTING PLATE

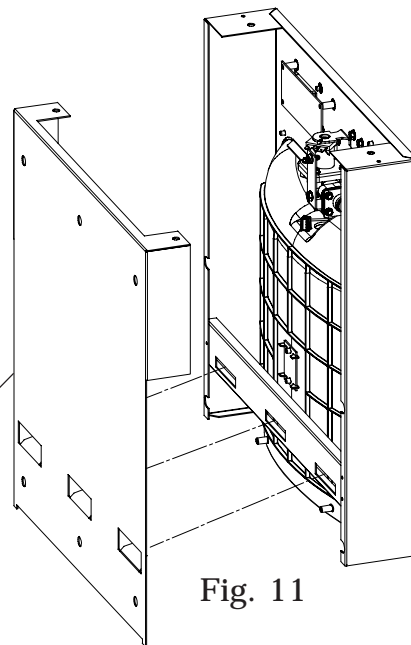


Fig. 11

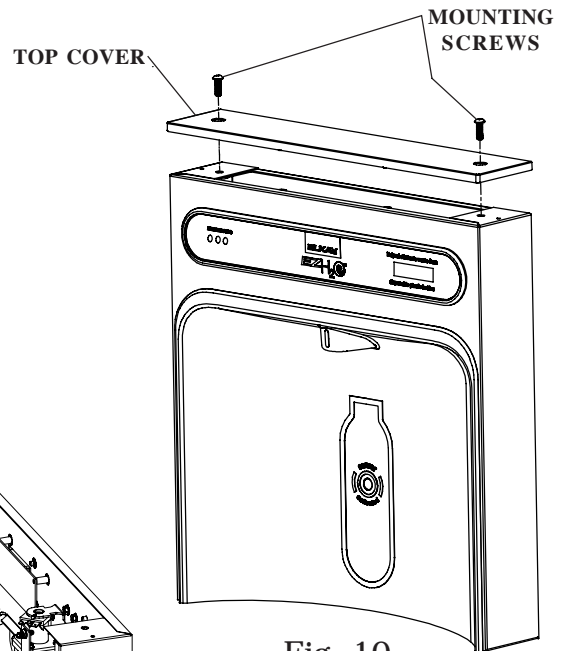
BOTTLE FILLER INSTALLATION

Fig. 10

BOTTLE FILLING UNIT

- 1) Remove two (2) mounting screws with 5/32" allen wrench holding top cover to Bottle Filler (See FIG. 10). Remove top cover. Note do not discard mounting screws, they will be needed to reinstall top cover..
- 2) Remove wall mounting plate from Bottle Filler. Place Wall plate against wall on top of EZ basin. Center the wall plate side to side with the EZ basin. Mark the six (6) mounting holes with a pencil (See FIG. 9).
- 3) Remove wall mounting plate from wall. **NOTE:** Mounting plate **MUST** be supported securely. Add fixture support carrier if wall will not provide adequate support.
- 4) Install wall mounting plate to wall using six (6) 7/16" obround mounting holes (mounting bolts not included) (See FIG. 9). Use appropriate fasteners for your wall type.
- 5) Place Drain Mat into position on the bottom of the Bottle Filler Unit.
- 6) **For Single Model installations:** Attach the purple wire from cooler to the purple wire on the back of the unit, (Note yellow wire is not used).
- 6a) **For Two-Level model installations:** Attach the purple and yellow wires from coolers to the purple and yellow wires on the back of the unit, purple to purple, yellow to yellow.
- 7) Remove 3/8" to 1/4" reducing union from end of waterline, (do not throw away it will be needed later). Lay Bottle Filler on water cooler basin and cut insulation from tube even with bottom of unit, remove this insulation from 3/8" tube, but do not discard. Fish the power cord, and waterline through the hole on top of water cooler created from the "Water Cooler Preparation" section. **NOTE:** To prevent scratching the basin place a towel or soft cloth over the entire basin when working above it.
- 8) With the power cord and waterline through hole on top of water cooler place Bottle Filler on the three (3) angled tabs protruding from the wall mounting plate, installed on wall (See Fig. 11). Make sure rubber Drain Mat is installed properly on bottom of Bottle filler (See Cover Illustration).
- 9) Once Bottle Filler is installed on wall plate tabs, drain mat, water line, wire(s) and power cord are installed properly, push top of Bottle Filler toward wall and line up top cover two (2) holes.
- 10) Reinstall Top Cover on Bottle Filler (See FIG. 10) with two mounting screws from step 1 above. Caution do not over tighten screws.
- 11) Install remaining tube insulation on to water line from bottle filler, connect Bottle Filler waterline inside to the water cooler by connecting the 3/8" water line with the 3/8" to 1/4" union and short piece of poly tube that was previously installed to the tee. (See Fig. 8 or 8A).
- 12) Install filter cartridge, remove filter from carton, remove protective cap, attach filter to filter head by firmly inserting into head and rotating filter clockwise. **NOTE:** If existing plumbing roughin locations (Drain, Water In, Electric Supply) do not allow the filter to be mounted inside the cooler cabinet the filter can be installed horizontally below the unit see page 7. A retrofit kit is available to mount the filter beneath the cooler.
- 13) Turn water supply on and inspect for leaks. Fix all leaks before continuing.
- 14) Once unit has been inspected for leaks and any leaks found corrected plug Bottle Filler and LZ unit into wall. Be sure to reinstall fuse to the circuit or switch the circuit breaker back to the "ON" position.
- 15) Once power is applied to Bottle Filler, the GREEN LED light should illuminate showing good filter status along with the LCD Bottle Counter.
- 16) Verify proper dispensing by placing cup, hand, or any opaque object in front of sensor area and verify water dispenses. Note: the first initial dispenses might have air in line which may cause a sputter. This will be eliminated once all air is purged from the line.
- 17) Once unit tests out, install Lower Panel back on EZ water cooler(s). Units are now ready for use.

CHANGING THE FILTER AND RESETTING THE VISUAL FILTER MONITOR

The electronic sensor includes LED filter status indicators that are factory preset to monitor filter life. The sensor monitors the "ON" time of the water valve solenoid and keeps track of total time water is dispensed.

There are (3) LED's that indicate the following:

Green: LED (Good) indicates that the filter is operating within 0% - 80% of its life.

Yellow: LED indicates that the filter is operating within 80% - 100% of its life.

Red: LED (Replace) indicates that the filter needs to be replaced since it has reached end of filter life.

TO CHANGE THE FILTER:

- 1) Remove the lower front panel of the watercooler by removing the four (4) screws
- 2) Turn inlet water valve off.
- 3) Open bubbler to relieve pressure build-up in the system.
- 4) Remove filter from head by rotating filter counterclockwise.
- 5) Remove new filter from carton, remove protective cap; cap may be placed on old filter to reduce the chance of water spilling from filter housing.
- 6) Attach filter to filter head by firmly inserting into head and rotating filter clockwise.
- 7) Turn on water supply and hold open the bubbler on cooler until approximately 1 gallon of water is dispensed. This flushing procedure purges air and fine carbon particles from the filter.

TO RESET THE FILTER MONITOR:

- 1) In order to reset the visual filter monitor status LED's, you must remove the top cover of the bottle filler. Remove the two (2) screws with a 5/32 allen wrench holding top cover to Bottle Filler. Remove top cover. Do not discard mounting screws, they will be needed to reinstall the top cover
- 2) With your finger, reach inside the opening and depress the program button located behind the LCD display outside of the electronics cover for approximately 2 seconds until the display changes then release. The display will change and scroll through three messages:

"RST FLTR" - Reset Filter Status LED

"RST BCNT" - Reset Bottle Count

"RNG SET" - Range Set for IR Sensor

If the program button is not pushed again the display will scroll through the three messages above for three cycles and then default back to bottle count and be back in run mode.

- 3) When the display changes to "RST FLTR", depress the button again. The display will change to show "FLT =". Depress the button again and the display will show "FLTR =0"
- 4) The Green LED should be illuminated indicating that the visual filter monitor has been reset. Reinstall the top cover.

SETTING THE CONTROL BOARD - SETTING RANGE OF THE IR SENSOR

- 1) In order to access the programming button, you must remove the top cover of the bottle filler. Remove the two (2) screws with a 5/32" allen wrench holding top cover to Bottle Filler. Remove top cover. Do not discard mounting screws, they will be needed to reinstall the top cover
- 2) With your finger, reach inside the opening and depress the program button located behind the LCD display outside of the electronics cover for approximately 2 seconds until the display changes then release. The display will change and scroll through three messages:

"RST FLTR" - Reset Filter Status LED

"RST BCNT" - Reset Bottle Count

"RNG SET" - Range Set for IR Sensor

If the program button is not pushed again the display will scroll through the three messages above for three cycles and then default back to bottle count and be back in run mode.

- 1) To set the RANGE of IR Sensor: when display shows "RNG SET" push program button once the display will show current value (can be 1 - 10) i.e. **"RNG = 3"**.
- 2) Once display shows current value push the program button to scroll through value of 1 - 10. Select the desired range setting.
- 3) Once range is selected allow approximately 4 seconds to pass and then the display will go back to bottle counter and be in run mode.
- 4) Test bottle filler by placing bottle or hand in front of sensor to make sure water is dispensed.

SETTING THE CONTROL BOARD - RESETTING BOTTLE COUNT

- 1) In order to access the programming button, you must remove the top cover of the bottle filler. Remove the two (2) screws with a 5/32 allen wrench holding top cover to Bottle Filler. Remove top cover. Do not discard mounting screws, they will be needed to reinstall the top cover
- 2) With your finger, reach inside the opening and depress the program button located behind the LCD display outside of the electronics cover for approximately 2 seconds until the display changes then release. The display will change and scroll through three messages:

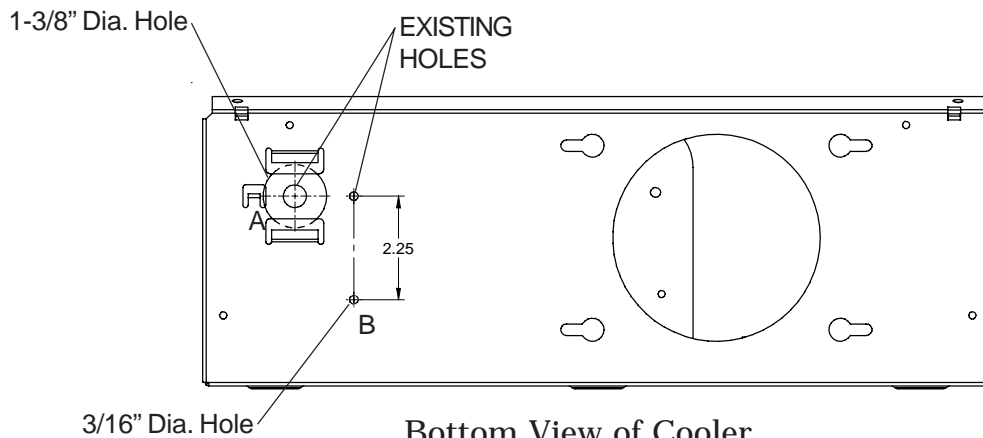
"RST FLTR" - Reset Filter Status LED

"RST BCNT" - Reset Bottle Count

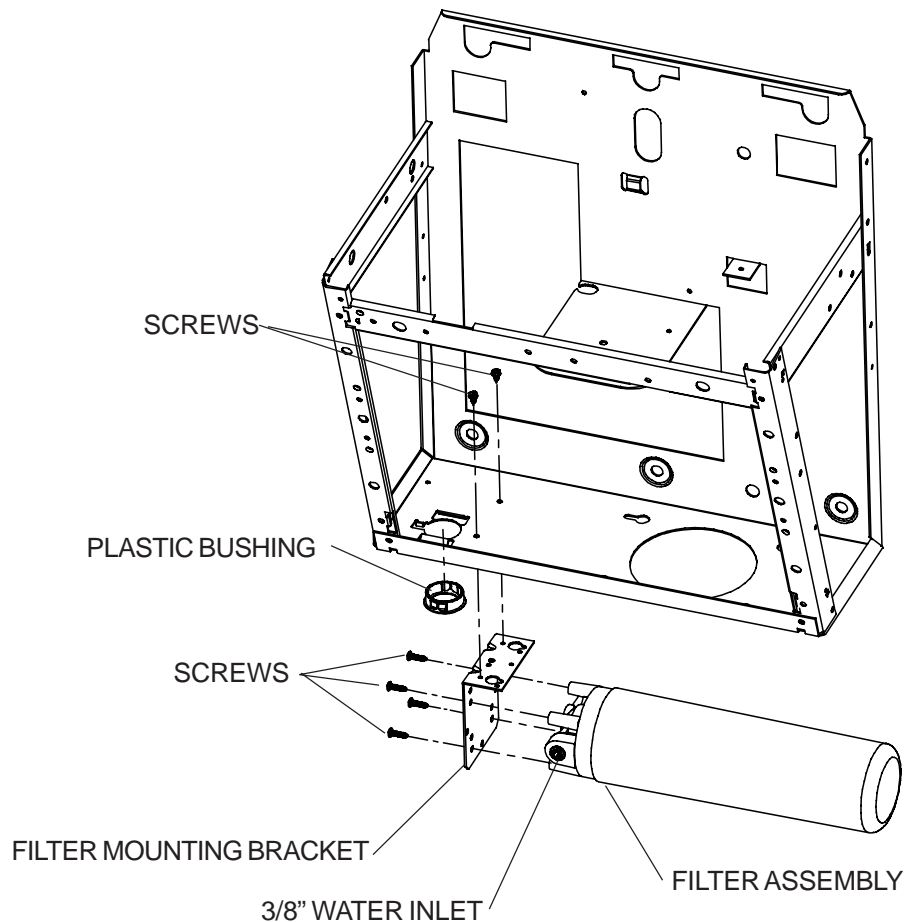
"RNG SET" - Range Set for IR Sensor

If the program button is not pushed again the display will scroll through the three messages above for three cycles and then default back run mode which display bottle count.

- 3) To reset the BOTTLE COUNTER: when display shows "RST BCNT" push program button once the display will show current value i.e. "BC0033183".
- 4) Once display shows current value push the program button once more to reset back to 0. The display will show BTLCT = 0 for approximately 2 seconds and then return to run mode showing 00000000 bottles.
- 5) To test bottle counter, you can place bottle or hand in front of sensor for approx 5 seconds to see bottle counter count 00000001. (This is based on filling a 16 oz bottle)



Bottom View of Cooler
Fig. 12

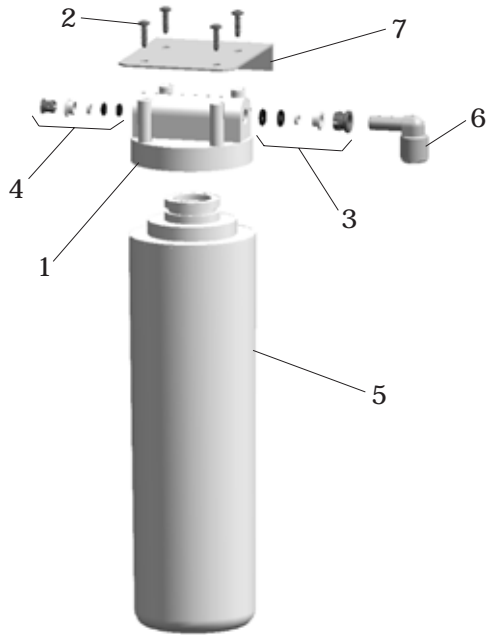


Alternate Filter Mounting Location
Fig. 13

ALTERNATE FILTER MOUNTING LOCATION

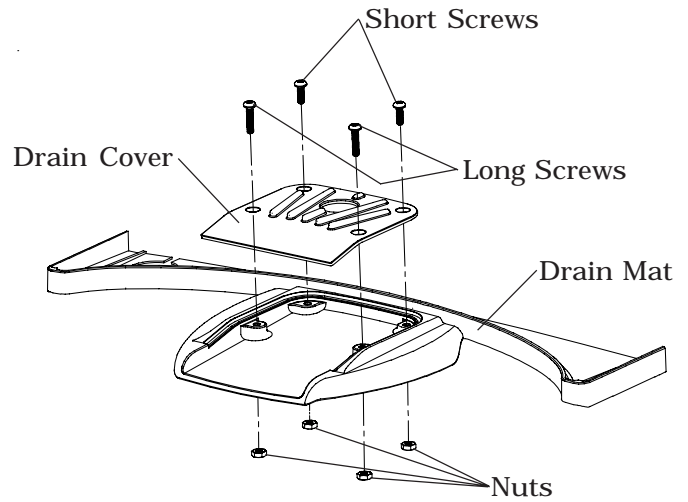
- 1) Using the supplied punch from the Bottle Filler installation, punch a 1-3/8" dia. hole "A" at the existing hole shown in Fig. 12.
- 2) Drill a 3/16" dia. hole at location "B" shown in Fig 12.
- 3) Remove Filter bracket from filter assembly and reinstall as shown in Fig. 13. Be sure the 3/8" water inlet is facing out.
- 4) Install plastic bushing (supplied) as shown into 1-3/8" hole, bushing must be used so waterlines will not be cut by sharp edges of base plate.
- 5) Install filter assembly to bottom of cooler as shown in Fig. 13 with 2-#8 sheet metal screws.
- 6) Run the inlet and outlet water lines to filter.
- 7) P/N 98551C - LZ Filter Mounting Cover may be order to enclose the filter beneath the cooler.

| WATERSENTRY® PLUS FILTER PARTS LIST (See Fig. 14) | | | LISTA DE PIEZAS DEL FILTRO (Vea Fig. 14) | LISTE DES PIÈCES DU FILTRE (Voir Fig. 14) |
|--|----------|----------------------------------|---|--|
| ITEM NO. | PART NO. | DESCRIPTION | DESCRIPCIÓN | DESCRIPTION |
| 1 | 51294C | Filter Head Assy. | Ensamblado de la Cabeza del Filtro | Ens. de tête de filtre |
| 2 | 70792C | Screw #8-18 x .75 PH | Tornillo #8-18 x .75 PH | Vis #8-18 x .75 hp |
| 3 | 70823C | Fitting - Superseal 3/8" (10 mm) | Accesorio - Supersello 3/8" (10mm) | Raccord - Superseal 3/8" (10mm) |
| 4 | 70822C | Fitting - Superseal 1/4" (6 mm) | Accesorio - Supersello 1/4" (6 mm) | Raccord - Superseal 1/4" (6mm) |
| 5 | 51300C | Filter Assy | Ensamblado del Filtro | Ens. filtre |
| 6 | 70818C | Elbow - 3/8" (10mm) | Codo - 3/8" (10 mm) | Coude - 3/8" (10mm) |
| 7 | 22490C | Bracket | Fijador | Support |



WATER FILTER EXPLODED VIEW

Fig. 14



DRAIN MAT EXPLODED VIEW

Fig. 15

| REPLACEMENT PART KITS | |
|-----------------------|-------------------------------------|
| PART NO. | DESCRIPTION |
| 98543C | Kit - Electrical Package |
| 98544C | Kit - EE Sensor |
| 98545C | Kit - Solenoid Valve Replacement |
| 98546C | Kit - Aerator Replacement |
| 98547C | Kit - Top Cover Replacement |
| 98548C | Kit - Drain Mat & Cover Replacement |
| 98549C | Kit - Hardware & Waterway Parts |
| 98551C | Kit - LZ Filter Mounting Cover |

REPAIR SERVICE INFORMATION TOLL FREE NUMBER 1.800.260.6640
 NÚMERO GRATIS DE SERVICIO 1.800.260.6640
 INFORMATIONS POUR LE SERVICE PAR NUMERO SANS FRAIS 1.800.260.6640

FOR PARTS, CONTACT YOUR LOCAL DISTRIBUTOR OR CALL 1.800.323.0620
 PARA PIEZAS, CONTACTE A SU DISTRIBUIDOR LOCAL O LLAME AL 1.800.323.0620
 POUR OBTENIR DES PIÈCES, CONTACTEZ VOTRE DISTRIBUTEUR LOCAL OU COMPOSEZ LE 1.800.323.0620

PRINTED IN U.S.A.
 IMPRESO EN LOS E.E.U.U.
 IMPRIMÉ AUX É.-U.