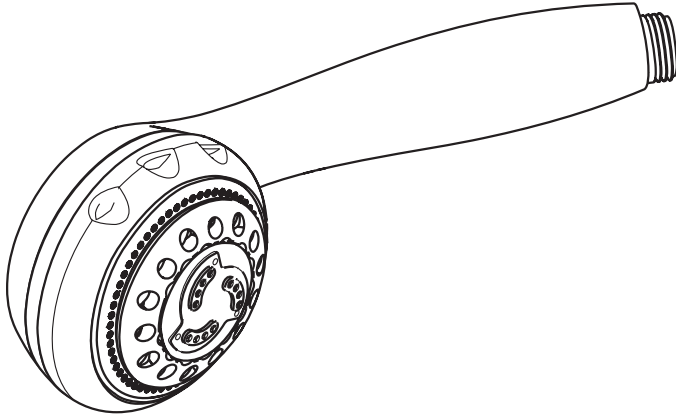


QUICLEAN



Product Features

- Quiclean™ cleaning system
- Three spray modes: full, massage, soft
- 72 no-clog spray channels
- 2.5 gpm max.

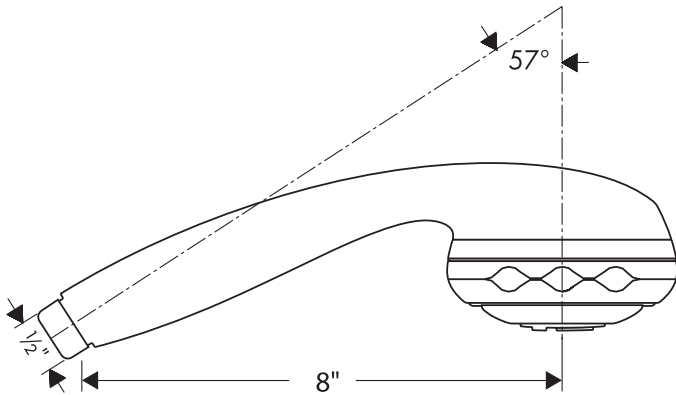
Code Compliance

This unit meets or exceeds the following:

- ASME A112.18.1
- CSA B125.1
- Listed by IAPMO
- Approved for use in Massachusetts

Available Finishes

Chrome	28525001
Oil Rubbed Bronze	28525621
Steel	28525801
Brushed Nickel	28525821
Polished Nickel	28525831
Polished Brass	28525931



The measurements shown are for reference only.

Products and specifications shown are subject to change without notice.

Specification sheet revised 8/2009